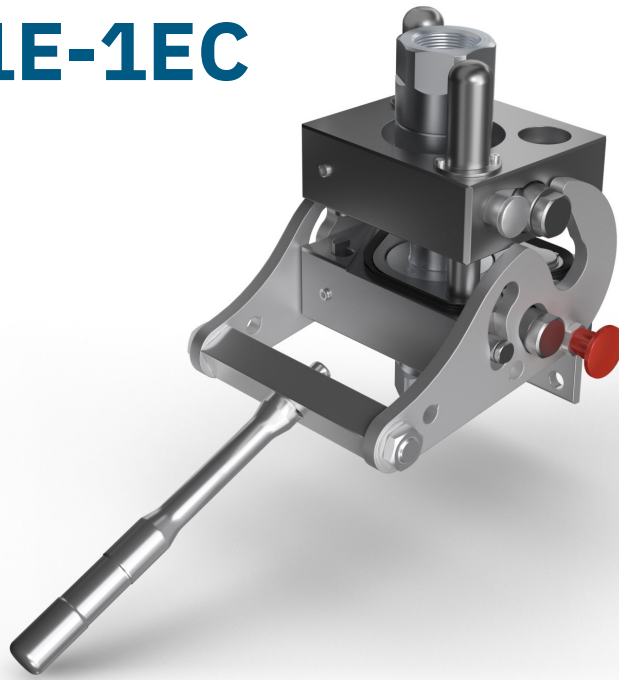


BM2 1A-1E-1EC

SPECIAL SERIES



FAP9 (A)	FAP13 (B)	FAP15 (C)	FAP17 (D)	FAP21 (E)	FAP30 (G)	EC
3/8"	1/2"	5/8"	3/4"	1"	1-1/2"	instead of DN9 or DN13
1 D				1 - special		1

Technical specifications and options



Interchange
Stucchi profile



Sealing
Nitrile NBR



Available sizes
1"



Material
Aluminium, Carbon steel



Valving style
Flat face



Connection Under Pressure
Allowed with Easy CUP



Operating pressure
up to 420 bar



Locking mechanism
Pin, Cam



Temperature
-20°C / +100°C



Connection system
Lever



Available threads
NPT



Flow rate
up to 378 l/min

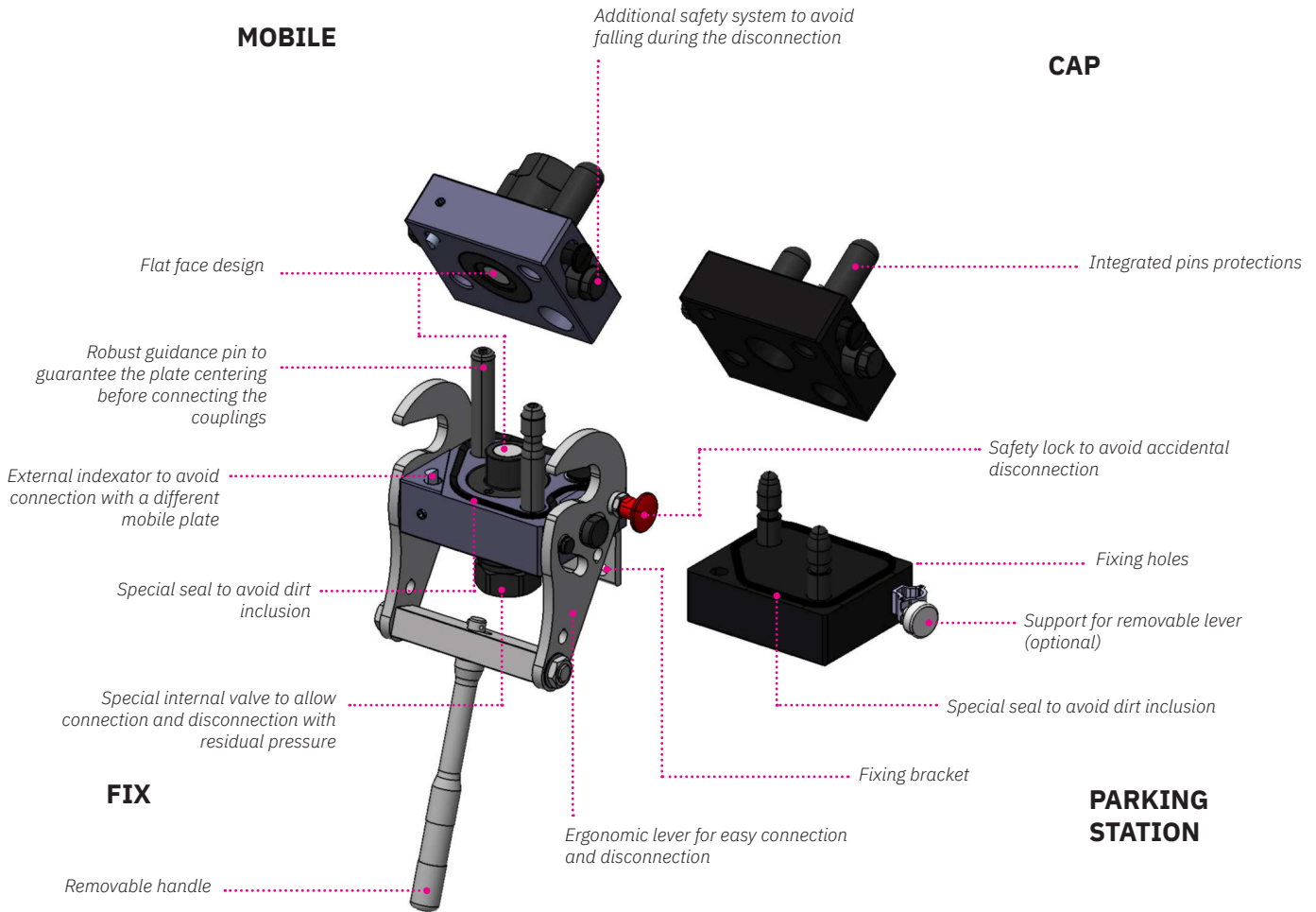
Benefits

- Specific design for 1" hydraulic line: the lever/cam system minimizes the force required to connect the couplings, even with significant pressure trapped in the circuit and under difficult conditions (environment, access, etc.).
- The locking mechanism ensures a full connection and prevents any accidental disconnection.
- Specific indexator avoids misconnection with different mobile plate.
- Designed to be used with hydraulic oil for fluid power application.
- Safety system on the mobile plate avoids accidental falling during the disconnection.
- Special rubber seal prevents dirt inclusion.
- The additional service line can be used with optional electrical connector or one drain line FAP9D.
- Robust guidance pins guarantee the correct alignment before the connection.
- Parking station and cover plate protect the system from contamination and damage as well as providing a convenient storage solution.
- The removable handle (that can be parked in the optional support on the parking station) increases usability reducing the overall dimension.
- Flat face couplings are easy to clean, reducing the inclusion of contamination to the hydraulic circuit.
- Internal valve design creates minimal pressure drop, maintaining circuit efficiency in the system.
- Minimal fluid loss during disconnection, reducing fluid loss to the environment.
- Minimal air inclusion during connection/disconnection.
- High resistance at impulse pressures.
- Safe and simple to use.

Main applications



Features



Performances (with FAP21)

Size	Series	Max. flow suggested		Spillage*	Max. operating pressure					
					Coupled		Male		Female	
Inch		l/min	GPM	ml	MPa	psi	MPa	psi	MPa	psi
1	FAP21AS	378	100,17	0,1	42	6000	42	6000	42	6000

* Spillage is an indicative value of the fluid loss per couple-uncouple cycle.

FAP9 line is only for drain line (max working pressure 1 MPa).

Temperature range: Standard seals NBR, PUR, POM from -20 °C to +100 °C (from -4 °F to +212 °F).

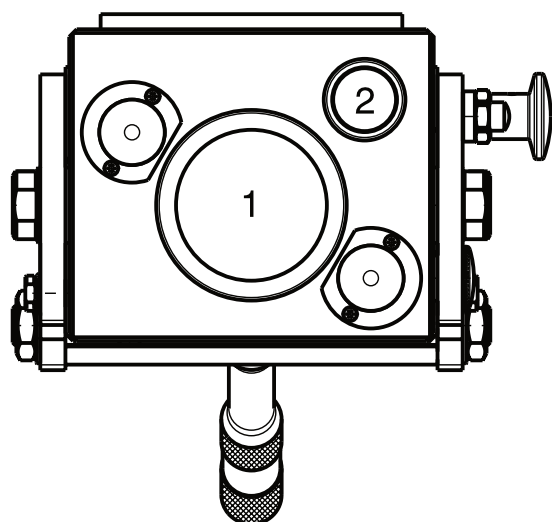
Tests: The couplings have been tested at max. operating pressure in accordance with ISO norm for 200.000 impulses coupled and 100.000 impulses uncoupled.

Different threads available upon request.

Installation, use and maintenance

- Install the fixed multiconnection with the proper fixing holes, by referring to the drawing shown in the datasheet.
- Install the flexible hoses on the coupling of the fixed and mobile multiconnection, by screwing them with proper torque.
- Clean the mating surface of the parts prior to connect.
- Insert and lock the removable lever in the corresponding hole on the lever system of the fixed multiconnection.
- Put the lever of the fixed multiconnection in complete open position, by unlocking the locking button and rotate the lever until the button is again engaged in the open position.
- Connect the mobile multiconnection by engaging the guiding pins into the fixed multiconnection
- Disengage the button of the safety lock then connect the multiconnection by rotating the lever until the stroke is complete and the locking button engaged again in the closed position.
- Disconnect the lever from the fixed part in order to avoid injuries from fall or lose it. Park it in the proper (optional) support.
- To disconnect, insert the lever and disengage the locking button then rotate by doing vice versa the sequence above described.
- Then disengage the safety “anti-fall” locking system by pulling the knob on the mobile and separate the mobile multiconnection.
- After disconnection, clean the parts and apply the cap on the fixed part then connect the mobile part in the parking station to protect from dust and dirt.
- Disconnect and put the lever in the support.
- Clean frequently the multiconnection and the components.
- If needed, lubricate the connection and guiding parts.
- Check often the multiconnection by looking for leakage, damage or malfunctioning.

Configurations



Possible configurations

Position	Coupling Size	Predisposition for electrical connector
1	FAP21AS	-
2	FAP9D	YES

Electrical connectors part number:
806422060 F EC7BM - 806422061 M EC7BM.

For FAP9D and plugs part number see the Stucchi Multicoupling Catalog.

Plates and spare parts

Multicouplings (couplings included)

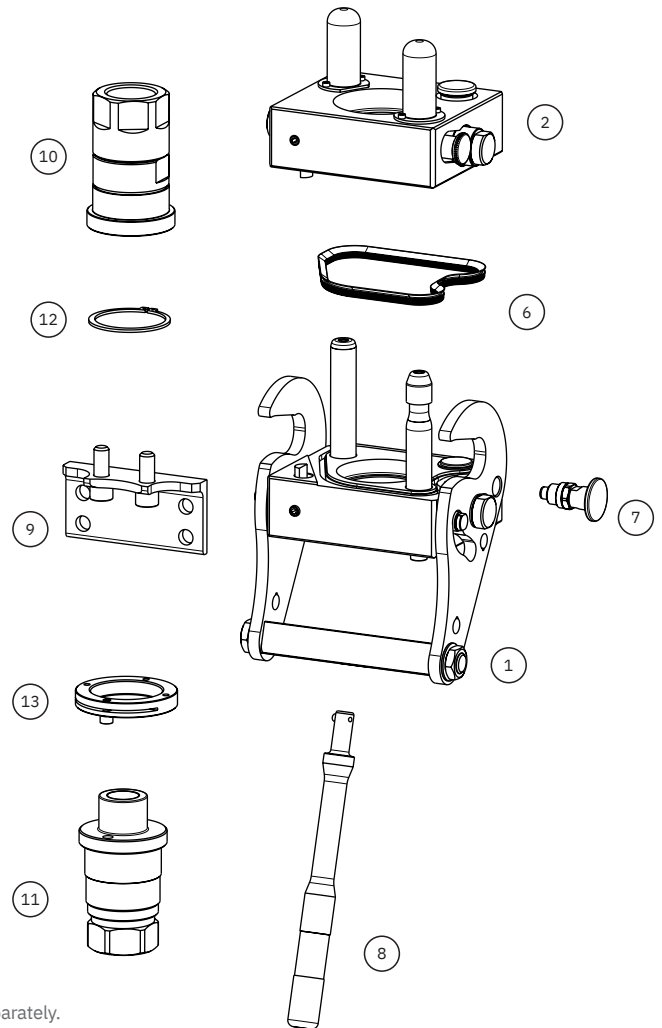
Code	Name	Description
870017113	MULTI FIX BM2 1E Provided with removable lever	1 FAP21AS 1-1/4 NPT
870017213	MULTI MOBILE BM2 1E	1 FAP21AS 1-1/4 NPT

Multicoupling spare parts (couplings not included)

Code	Name	Key
806000428	MULTI FIX EMPTY BM2 1A-1E-1EC Removable lever and bracket not included, to be ordered separately	1
806000429	MULTI MOBILE EMPTY BM2 1A-1E-1EC	2
815606322	PARKING STATION BM 145x124	3
815606321	CAP FIX MULTI BM 145x124	4
815524016	SUPPORT FOR LEVER BM	5
815701279	SPARE KIT DUST SEAL PLATE BM2	6
815701280	SPARE KIT SAFETY BUTTON BM	7
815701281	SPARE KIT REMOVABLE HANDLE BM	8
815701302	SSPARE KIT BRACKET BM2 120x60	9

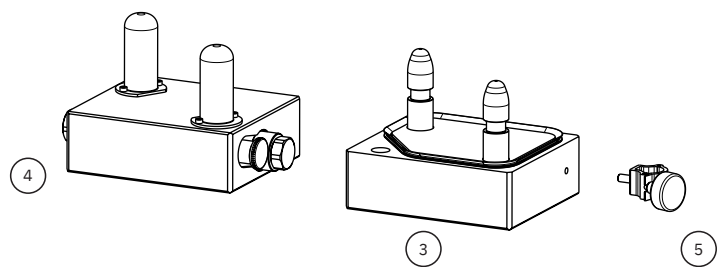
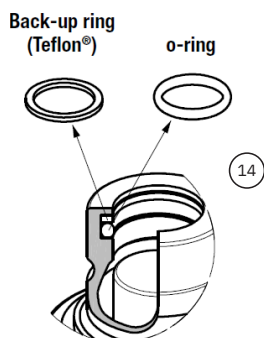
Couplings spare parts

Code	Name	Key
807101002*	F FAP21AS1 1-1/4 NPT	10
807101003**	M FAP21AS1 1-1/4 NPT	11
815701154	SPARE KIT SEEGER F FAP21AS1	12
815701155	SPARE KIT LOCKING SLEEVE M FAP21AS1	13
815701159	SPARE KIT SEAL PUR M FAP21AS1	14



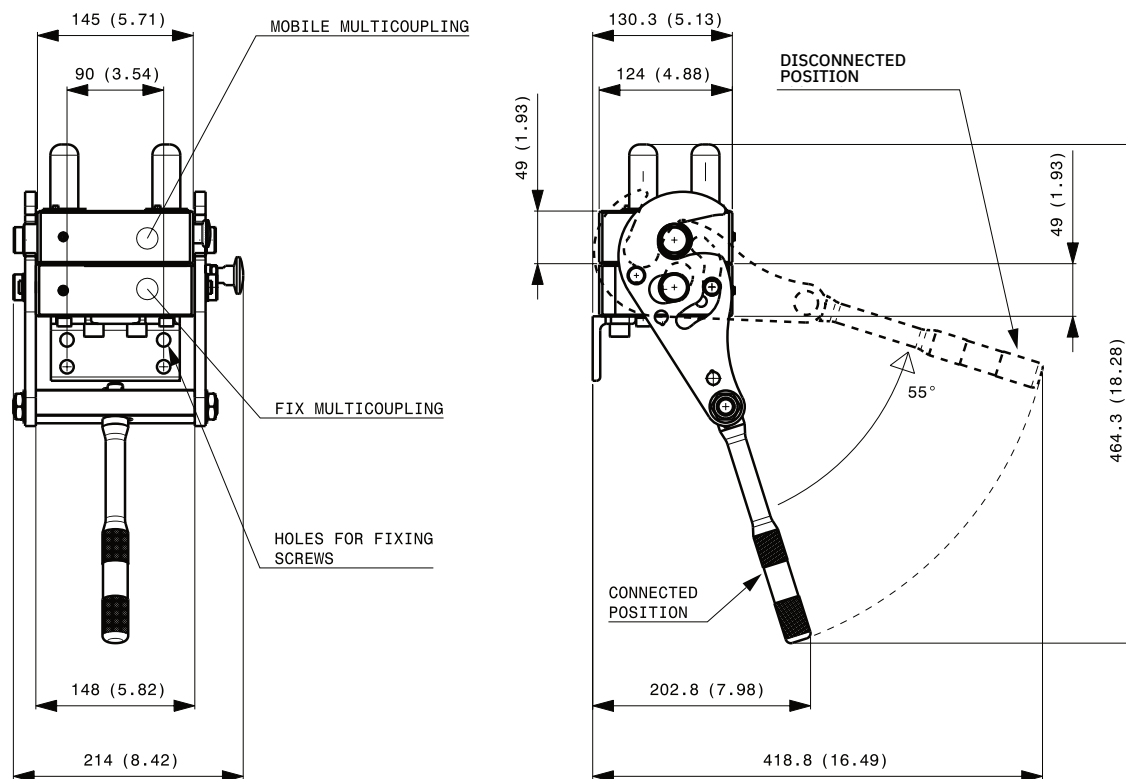
* Seeger ring is not included in the female coupling; seeger ring to be ordered separately.

** Male locking sleeve and screw are not included in the female coupling; kit to be ordered separately.

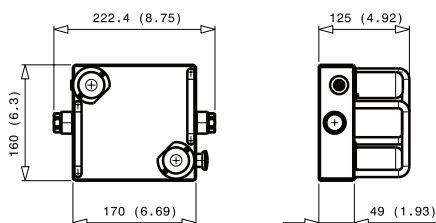


Overall dimensions

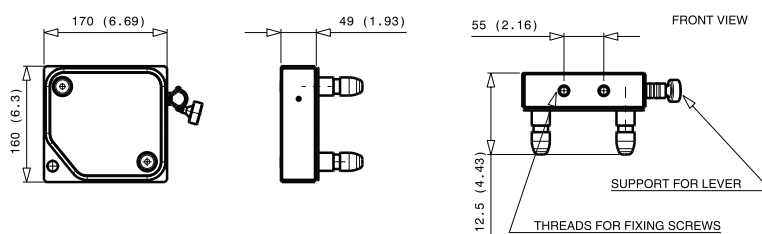
Fixed and mobile multicoupling



Cap for fix multicoupling



Parking station for mobile multicoupling



⚠ WARNINGS

A defect, a wrong choice or an improper use of products, can cause injury to persons, animals and objects.
 Connect under pressure products are suitable to be connected under residual (static) pressure.
 Never connect or disconnect with dynamic pressure (e.g. pump on).
 Do not use the female coupling disconnected with high impulse pressure.
 Do not couple-uncouple with flow in the circuit.
 Do not couple-uncouple when the temperature inside of the circuit is higher than 80 °C (176 °F).
 Check the maximum allowable working pressure of the port in use.
 It is important to limit contamination in the circuit to avoid compromising the function of the internal valves.
 Make sure that the medium used is compatible with seal and material as indicated for each series.
 Do not force the lever without pushing the red safety button.
 Do not use extensions or other tools to ease the rotating of the lever.
 Do not connect the fixed half with the mobile half if dirt or tools are between them.
 Pay attention during the connection not to put finger between the plates.
 We advise to assemble the multiconnection with the female face down in order to allow water or moisture to be drained easily.
 Do not exceed single coupling performance and total multiconnection resistance of the multiconnection (please refer to dedicated datasheet).
 Do not pressurize the "auxiliary line with FAP9-3/8" line as this line has to be used for drain line only.
 When the multicoupling is disconnected, it is suggested to use the protection cover for the fixed half and the parking station for the mobile half.
 Do not to modify, disassemble or damage the multiconnection, part of it or coupling/electrical connector, the lever or safety lock system.
 Stucchi Multiconnection BM2 is intended to be used for hydraulic oil applications: do not use the products for dangerous, inflammable or explosive fluids.
 The quick coupling FAP-AS series is intended to be used only on Stucchi Multiconnections BM2. Do not use the FAP-AS coupling on a custom-made multiconnection or other device different than a Stucchi Multiconnection.
In case of doubt please contact Stucchi Technical Support.
It is MANDATORY to read and closely follow the instructions. Last updated version always applies at time of installation, see latest Instructions and warnings section on Stucchi website before selecting or using Stucchi products.

BM2 1A-1G-1EC

SPECIAL SERIES



FAP9 (A)	FAP13 (B)	FAP15 (C)	FAP17 (D)	FAP21 (E)	FAP30 (G)	EC
3/8"	1/2"	5/8"	3/4"	1"	1-1/2"	instead of DN9 or DN13
1 D					1 - special	1

Technical specifications and options



Interchange
Stucchi profile



Sealing
Nitrile NBR



Available sizes
1-1/2



Material
Aluminium, Carbon steel



Valving style
Flat face



Connection Under Pressure
Allowed with Easy CUP



Operating pressure
up to 420 bar



Locking mechanism
Pin, Cam



Temperature
-20°C / +100°C



Connection system
Lever



Available threads
NPT, SAE



Flow rate
up to 750l/min

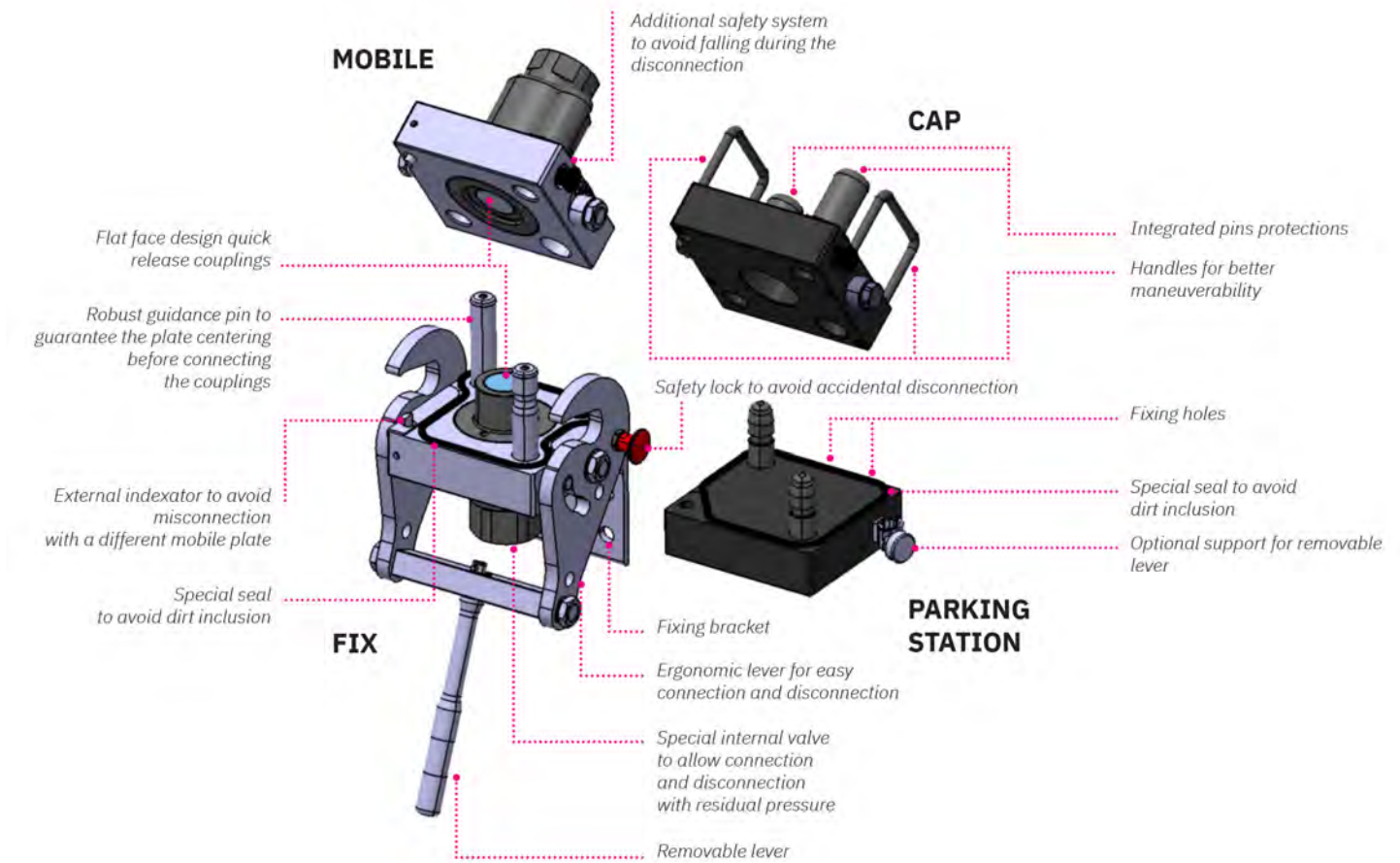
Benefits

- Specific design for hydraulic lines above 1": the lever/cam system minimizes the force required to connect the couplings, even with significant pressure trapped in the circuit and under difficult conditions (environment, access, etc.).
- The locking mechanism ensures a full connection and prevents any accidental disconnection.
- Specific indexator avoids misconnection with different mobile plate.
- Designed to be used with hydraulic oil for fluid power application.
- Safety system on the mobile plate avoids accidental falling during the disconnection.
- Special rubber seal prevents dirt inclusion.
- Additional service line, can be used with optional electrical connector or one drain line FAP9 (3/8).
- Robust guidance pins guarantees the correct alignment before the connection.
- Parking station and cover plates protect the system from contamination and damage as well as to provide a convenient storage solution.
- The removable handle (that can be parked in the optional support on the parking station) increases usability reducing the overall dimension.
- Flat face couplings are easy to clean, reducing the inclusion of contamination to the hydraulic circuit
- Internal valve design creates minimal pressure drop, maintaining circuit efficiency in the system.
- Minimal fluid loss during disconnection, reducing fluid loss to the environment.
- Minimal air inclusion during connection/disconnection.
- High resistance at impulse pressures.
- Safe and simple to use.

Main applications



Features



Performances (with FAP30)

Size	Series	Max. flow suggested		Spillage*	Max. operating pressure					
					Coupled		Male		Female	
Inch		l/min	GPM	ml	MPa	psi	MPa	psi	MPa	psi
1-1/2	FAP30AS2	750	198,75	0,2	42	6000	42	6000	27	3915

* Spillage is an indicative value of the fluid loss per couple-uncouple cycle.
FAP9 line is only for drain line (max working pressure 1 MPa).

Temperature range: Standard seals NBR, PUR, POM from -20 °C to +100 °C (from -4 °F to +212 °F).

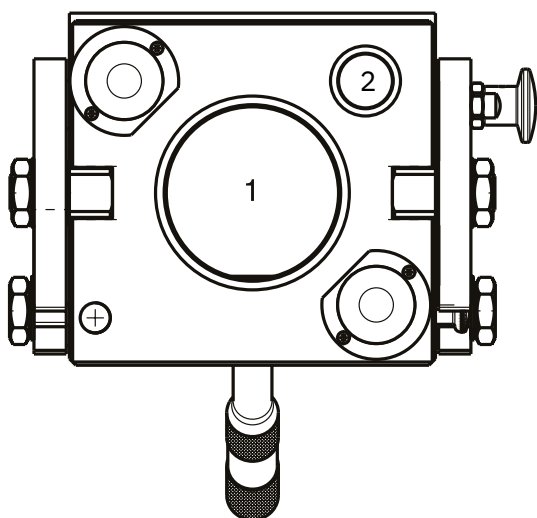
Tests: The couplings have been tested at max. operating pressure for 500.000 impulses in accordance with ISO norm.

Different threads available upon request.

Installation, use and maintenance

- Install the fixed multiconnection with the proper fixing holes, by referring to the drawing shown in the datasheet.
- Install the flexible hoses on the coupling of the fixed and mobile multiconnection, by screwing them with proper torque.
- Clean the mating surface of the parts prior to connect.
- Insert and lock the removable lever in the corresponding hole on the lever system of the fixed multiconnection.
- Put the lever of the fixed multiconnection in complete open position, by unlocking the locking button and rotate the lever until the button is again engaged in the open position.
- Connect the mobile multiconnection by engaging the guiding pins into the fixed multiconnection
- Disengage the button of the safety lock then connect the multiconnection by rotating the lever until the stroke is complete and the locking button engaged again in the closed position.
- Disconnect the lever from the fixed part in order to avoid injuries from fall or lose it. Park it in the proper (optional) support.
- To disconnect, insert the lever and disengage the locking button then rotate by doing vice versa the sequence above described.
- Then disengage the safety “anti-fall” locking system by pulling the knob on the mobile and separate the mobile multiconnection.
- After disconnection, clean the parts and apply the cap on the fixed part then connect the mobile part in the parking station to protect from dust and dirt.
- Disconnect and put the lever in the support.
- Clean frequently the multiconnection and the components.
- If needed, lubricate the connection and guiding parts.
- Check often the multiconnection by looking for leakage, damage or malfunctioning.

Configurations



Possible configurations

Position	Coupling Size	Predisposition for electrical connector
1	FAP30	-
2	FAP9	YES

Plates and spare parts

Multicoupling (couplings included)

Code	Name	Description
870017108	MULTI FIX BM2 1G Provided with removable lever	1 FAP30AS 1-1/2 NPT
870017208	MULTI MOBILE BM2 1G	1 FAP30AS 1-1/2 NPT
870017110	MULTI FIX BM2 1G Provided with removable lever	1 FAP30AS 1-1/2 SAE
870017210	MULTI MOBILE BM2 1G	1 FAP30AS 1-1/2 SAE

Multicoupling spare parts (couplings not included)

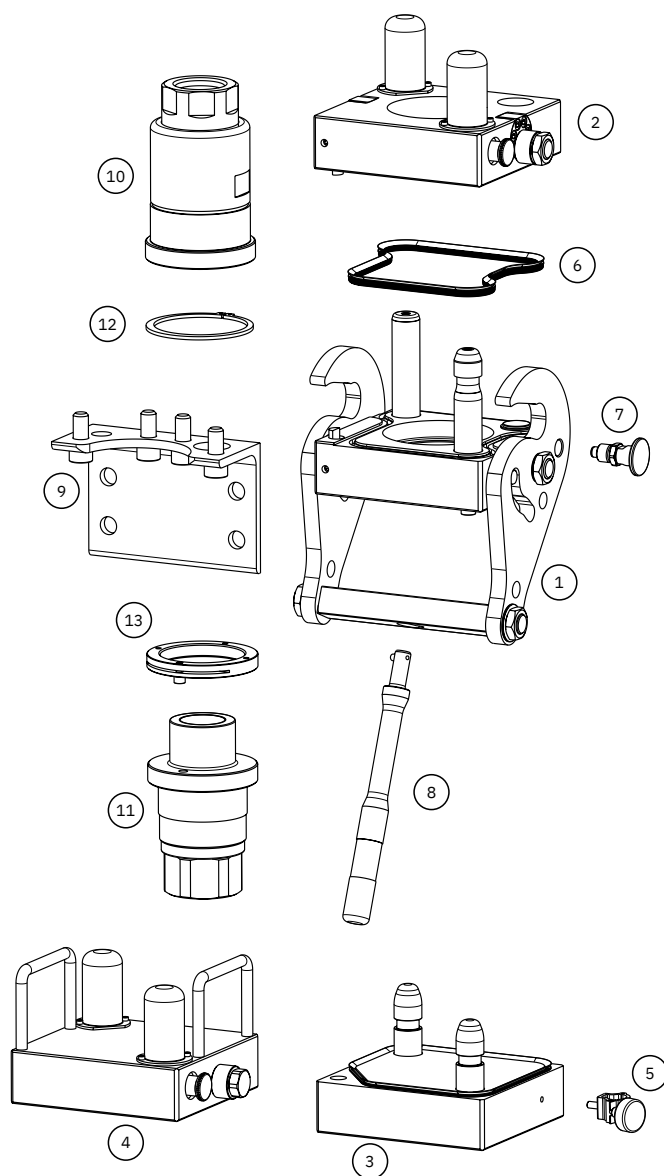
Code	Name	Key
806000422	MULTI FIX EMPTY BM2 1A-1G-1EC Removable lever not included, to be ordered separately	1
806000423	MULTI MOBILE EMPTY BM2 1A-1G-1EC	2
815606317	PARKING STATION BM 170X160	3
815606318	CAP FIX MULTI BM 170X160	4
815524016	SUPPORT FOR LEVER BM	5
815701279	SPARE KIT DUST SEAL PLATE BM2	6
815701280	SPARE KIT SAFETY BUTTON BM	7
815701281	SPARE KIT REMOVABLE HANDLE BM	8
815701282	SPARE KIT BRACKET BM2	9

Couplings spare parts

Code	Name	Key
807101006*	F FAP30AS2 1-1/2 NPT	10
807104010*	F FAP30AS2 1-1/2 SAE	10
807101007**	M FAP30AS2 1-1/2 NPT	11
807104011**	M FAP30AS2 1-1/2 SAE	11
815701156	SPARE KIT SEEGER F FAP30AS2	12
815701157	SPARE KIT LOCKING SLEEVE M FAP30AS2	13
815701171	SPARE KIT OR NBR+BK M FAP30AS2	14

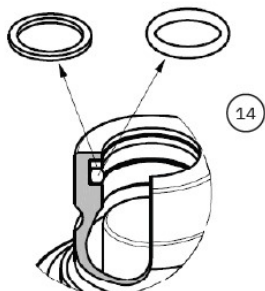
* Seeger ring is not included in the female coupling; seeger ring to be ordered separately.

** Male locking sleeve and screw are not included in the female coupling; kit to be ordered separately.



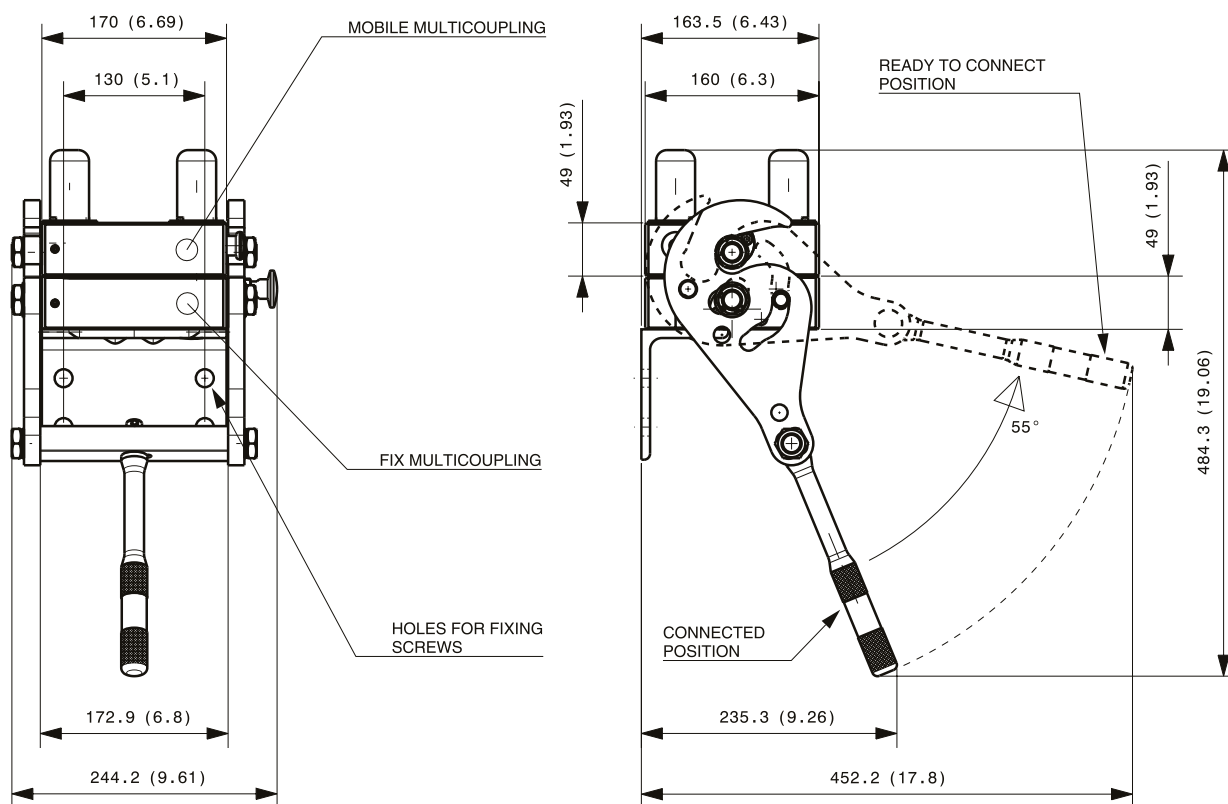
Back-up ring
(Teflon®)

o-ring

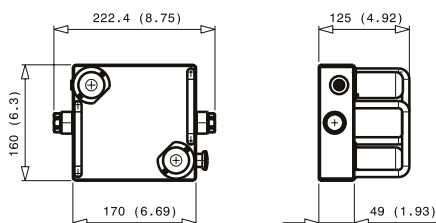


Overall dimensions

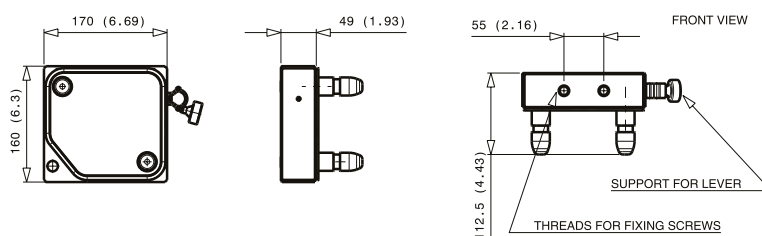
Fixed and mobile multicoupling



Cap for fix multicoupling



Parking station for mobile multicoupling



⚠ WARNINGS

- A defect, a wrong choice or an improper use of products, can cause injury to persons, animals and objects.
- Connect under pressure products are suitable to be connected under residual (static) pressure.
- Never connect or disconnect with dynamic pressure (e.g. pump on).
- Do not use the female coupling disconnected with high impulse pressure.
- Do not couple-uncouple with flow in the circuit.
- Do not couple-uncouple when the temperature inside of the circuit is higher than 80 °C (176 °F).
- Check the maximum allowable working pressure of the port in use.
- It is important to limit contamination in the circuit to avoid compromising the function of the internal valves.
- Make sure that the medium used is compatible with seal and material as indicated for each series.
- Do not force the lever without pushing the red safety button.
- Do not use extensions or other tools to ease the rotating of the lever.
- Do not connect the fixed half with the mobile half if dirt or tools are between them.
- Pay attention during the connection not to put finger between the plates.
- We advise to assemble the multicoupling with the female face down in order to allow water or moisture to be drained easily.
- Do not exceed single coupling performance and total multicoupling resistance of the multicoupling (please refer to dedicated datasheet).
- Do not pressurize the "auxiliary line with FAP9-3/8" line as this line has to be used for drain line only.
- When the multicoupling is disconnected, it is suggested to use the protection cover for the fixed half and the parking station for the mobile half.
- Do not to modify, disassemble or damage the multicoupling, part of it or coupling/electrical connector, the lever or safety lock system.
- Stucchi Multicoupling BM2 is intended to be used for hydraulic oil applications: do not use the products for dangerous, inflammable or explosive fluids.
- The quick coupling FAP-AS series is intended to be used only on Stucchi Multicouplings BM2. Do not use the FAP-AS coupling on a custom-made multicoupling or other device different than a Stucchi Multicoupling.
- In case of doubt please contact Stucchi Technical Support.
- It is MANDATORY to read and closely follow the instructions. Last updated version always applies at time of installation, see latest Instructions and warnings section on Stucchi website before selecting or using Stucchi products.

BM2 1A-1G-1EC V01

SPECIAL SERIES



FAP9 (A) 3/8"	FAP13 (B) 1/2"	FAP15 (C) 5/8"	FAP17 (D) 3/4"	FAP21 (E) 1"	FAP30 (G) 1-1/2"	EC instead of DN9 or DN13
1 D					1 - special	1

Technical specifications and options



Interchange
Stucchi profile



Sealing
Nitrile NBR



Available sizes
1"-1/2"



Material
Aluminium, Carbon steel



Valving style
Flat face



Connection Under Pressure
Allowed with Easy CUP



Operating pressure
up to 420 bar



Locking mechanism
Pin, Cam



Temperature
-20°C / +100°C



Connection system
Lever



Available threads
BSP



Flow rate
up to 750l/min

Benefits

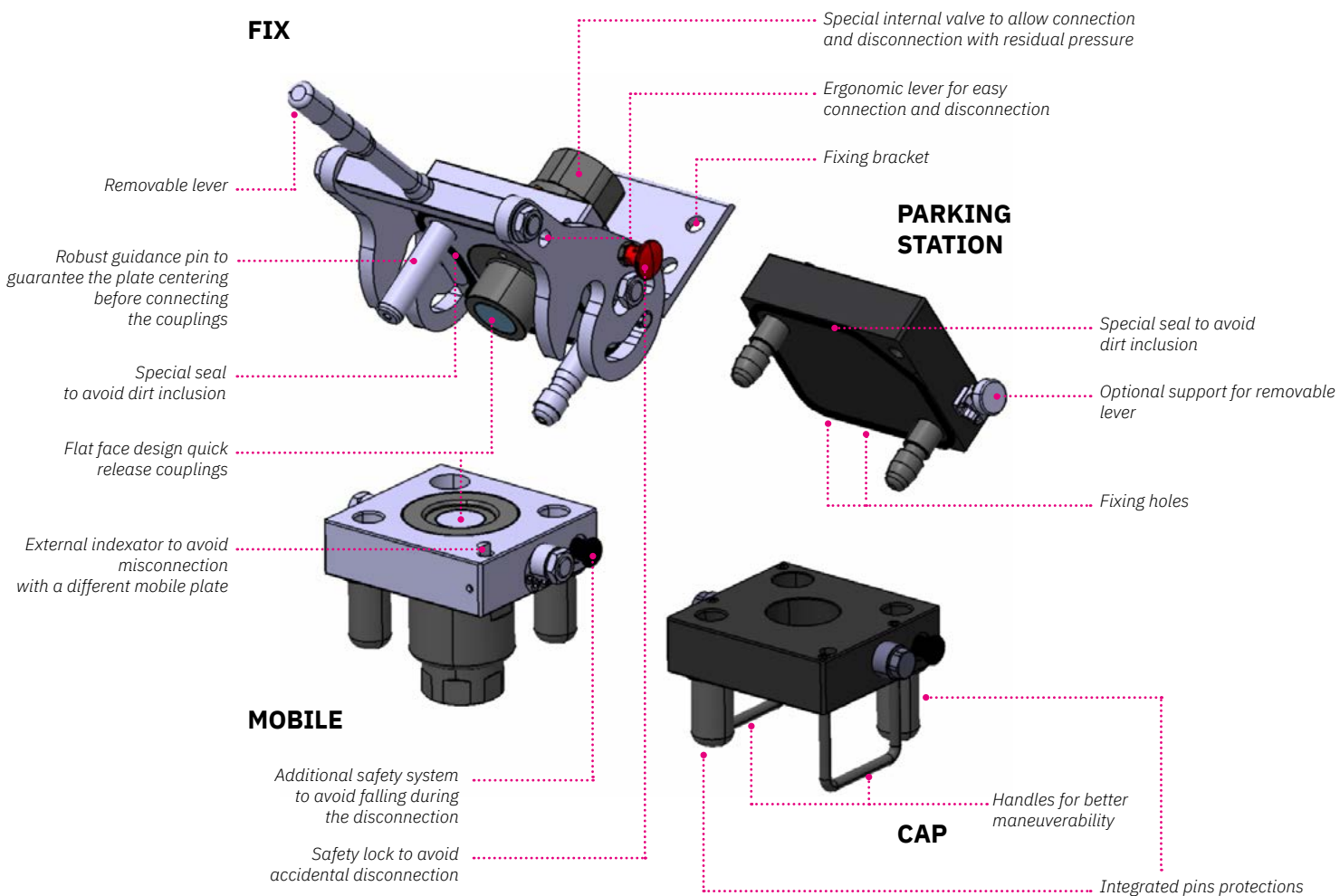
- Specific design developed to be assembled on excavator arm, with an ergonomic connection in order to be appreciated in the earth moving.
- Specific design for hydraulic lines above 1": the lever/cam system minimizes the force required to connect the couplings, even with significant pressure trapped in the circuit and under difficult conditions (environment, access, etc.).
- The locking mechanism ensures a full connection and prevents any accidental disconnection.
- Specific indexator avoids misconnection with different mobile plate.
- Designed to be used with hydraulic oil for fluid power application.
- Safety system on the mobile plate avoids accidental falling during the disconnection.
- Special rubber seal prevents dirt inclusion.
- The additional service line can be used with optional electrical connector or one drain line FAP9 (3/8).
- Robust guidance pins guarantee the correct alignment before the connection.
- Parking station and cover plates protects the system from contamination and damage as well as to provide a convenient storage solution.
- The removable lever (that can be parked in the optional bracket on the parking station) increases usability reducing the overall dimension.
- Flat face couplings are easy to clean, reducing the inclusion of contamination to the hydraulic circuit.
- Internal valve design creates minimal pressure drop, maintaining circuit efficiency in the system.
- Minimal fluid loss during disconnection, reducing fluid loss to the environment.
- Minimal air inclusion during connection/disconnection.
- High resistance at impulse pressures.
- Safe and simple to use.

Main applications



Features

V01 version with reverse connection system for an ergonomic connection on excavator application.



Performances (with FAP30)

Size	Series	Max. flow suggested		Spillage*	Max. operating pressure					
					Coupled		Male		Female	
Inch		l/min	GPM	ml	MPa	psi	MPa	psi	MPa	psi
1-1/2	FAP30AS2	750	198,75	0,2	42	6000	42	6000	27	3915

* Spillage is an indicative value of the fluid loss per couple-uncouple cycle.
FAP9 line is only for drain line (max working pressure 1 MPa).

Temperature range: Standard seals NBR, PUR, POM from -20 °C to +100 °C (from -4 °F to +212 °F).

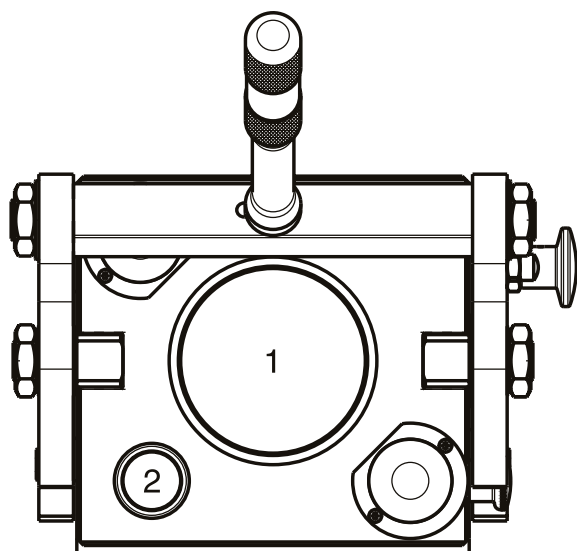
Tests: The couplings have been tested at max. operating pressure for 500.000 impulses in connected position in accordance with ISO norm.

Different threads available upon request.

Installation, use and maintenance

- Install the fixed multiconnection with the proper fixing holes, by referring to the drawing shown in the datasheet.
- Install the flexible hoses on the coupling of the fixed and mobile multiconnection, by screwing them with proper torque.
- Clean the mating surface of the parts prior to connect.
- Insert and lock the removable lever in the corresponding hole on the lever system of the fixed multiconnection.
- Put the lever of the fixed multiconnection in complete open position, by disengaging the locking button and rotate the lever until the button is again engaged in the open position.
- Connect the mobile multiconnection by engaging the guiding pins into the fixed multiconnection.
- Disengage the button of the safety lock then connect the multiconnection by rotating the lever until the stroke is complete and the locking button engaged again in the closed position.
- When the mobile is connected with fixed multiconnection, the cap can be easily parked in the parking station.
- Disconnect the lever from the fixed part in order to avoid injuries from fall or lose it. Park it in the proper (optional) bracket.
- To disconnect the plate, insert the lever and disengage the locking button then rotate by doing vice versa the sequence above described.
- Then disengage the safety “anti-fall” locking system by pulling the knob on the mobile and separate the mobile multiconnection.
- After disconnection, clean the parts and apply the cap on the fixed part then connect the mobile part in the parking station to protect from dust and dirt.
- Disconnect and put the lever in the bracket.
- Clean frequently the multiconnection and the components.
- If needed, lubricate the connection and guiding parts.
- Check periodically the multiconnection by looking for leakage, damage or malfunctioning.

Configurations



Possible configurations

Position	Coupling Size	Predisposition for electrical connector
1	FAP30	-
2	FAP9D	YES

Plates and spare parts

Multicoupling (couplings included)

Code	Name	Description
870017107	MULTI FIX BM2 1G V01 Provided with removable lever	1 FAP30AS 1-1/2 BSP
870017207	MULTI MOBILE BM2 1G V01	1 FAP30AS 1-1/2 BSP

Multicoupling spare parts (couplings not included)

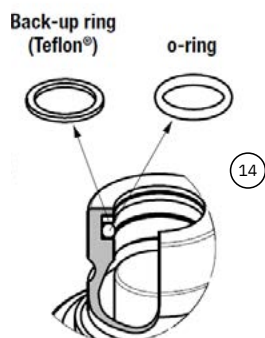
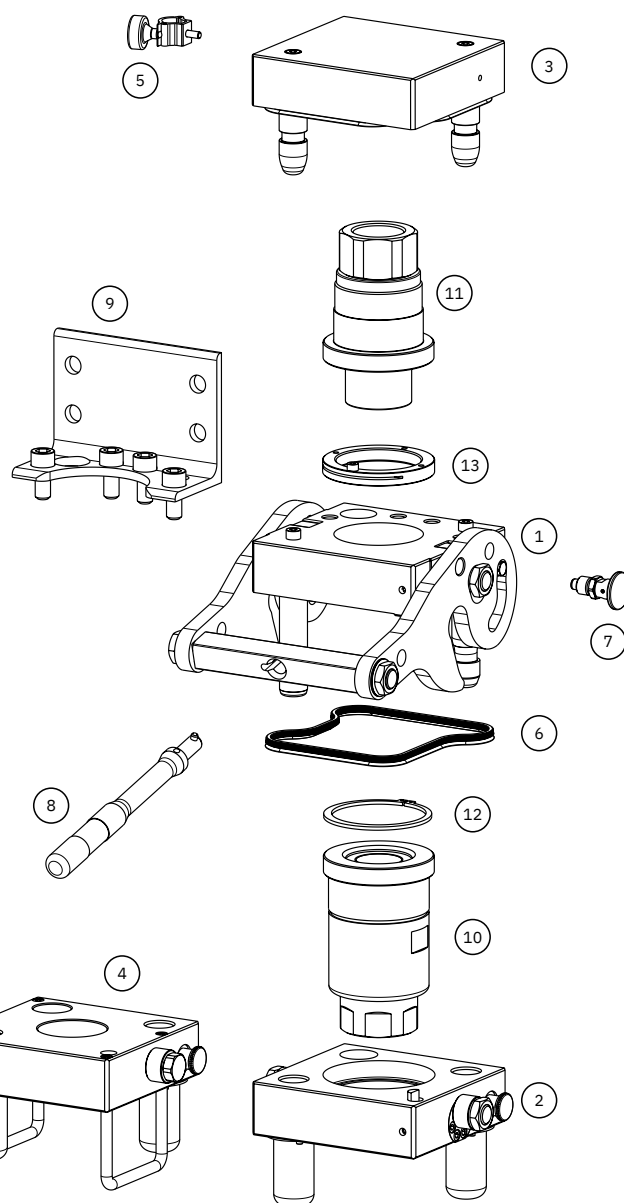
Code	Name	Key
806000418	MULTI FIX EMPTY BM2 1A-1G-1EC V01 Removable lever not included, to be ordered separately	1
806000419	MULTI MOBILE EMPTY BM2 1A-1G-1EC V01	2
815606316	CAP FIX MULTI BM 170X160 V01	3
815606317	PARKING STATION MULTI BM 170x160	4
815524016	SUPPORT FOR LEVER BM	5
815701279	SPARE KIT DUST SEAL PLATE BM2	6
815701280	SPARE KIT SAFETY BUTTON BM	7
815701281	SPARE KIT REMOVABLE HANDLE BM	8
815701282	SPARE KIT BRACKET BM2	9

Spare parts

Code	Name	Key
807100058*	F FAP30AS2 1-1/2 BSP	10
807100059**	M FAP30AS2 1-1/2 BSP	11
815701156	SPARE KIT SEEGER F FAP30AS2	12
815701157	SPARE KIT LOCKING SLEEVE M FAP30AS2	13
815701171	SPARE KIT OR NBR+BK M FAP30AS2	14

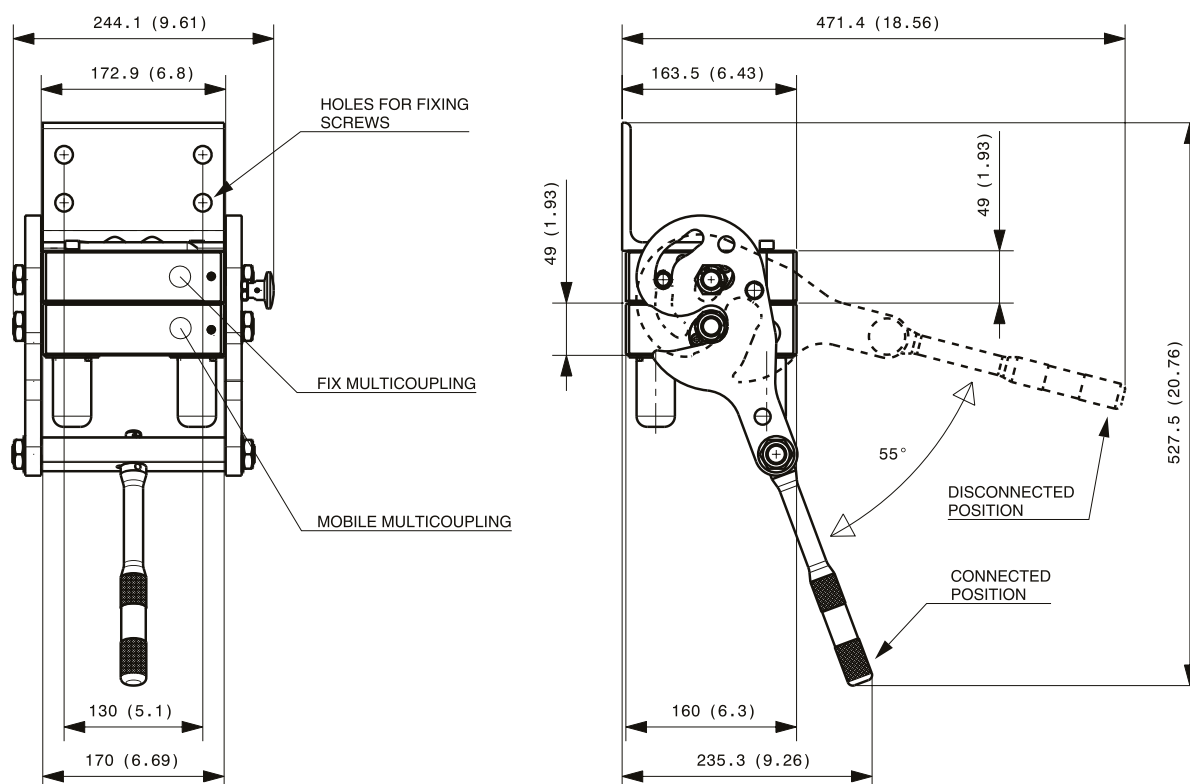
* Seeger ring is not included in the female coupling; to be ordered separately.

** Male locking sleeve and screw are not included in the female coupling; to be ordered separately.

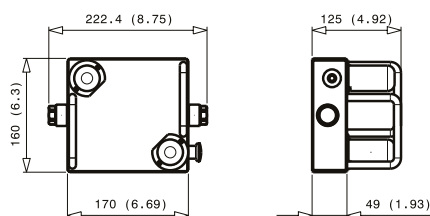


Overall dimensions

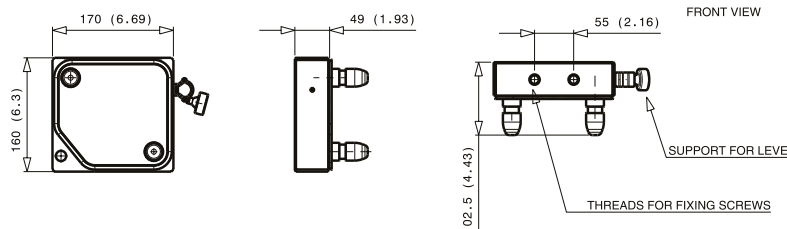
Fixed and mobile multicoupling



Cap for fix multicoupling



Parking station for mobile multicoupling



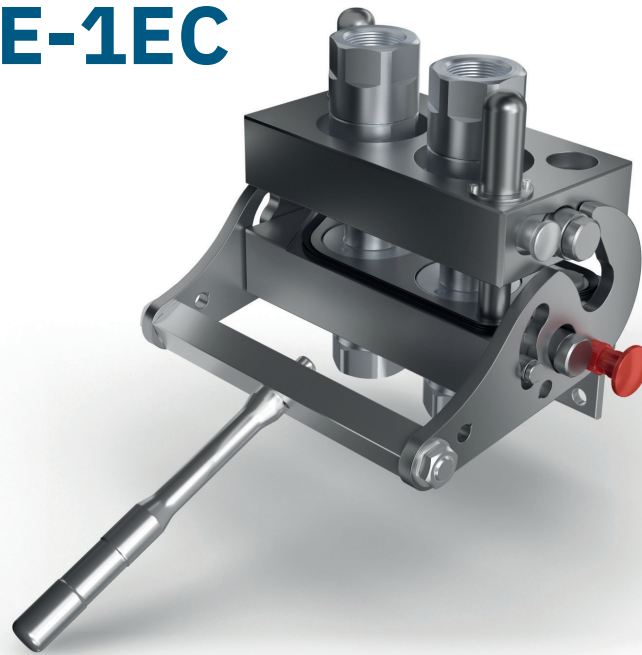
Dimensions in mm (inches)

⚠ WARNINGS

A defect, a wrong choice or an improper use of products, can cause injury to persons, animals and objects.
 Connect under pressure products are suitable to be connected under residual (static) pressure.
 Never connect or disconnect with dynamic pressure (e.g. pump on).
 Do not use the female coupling disconnected with high impulse pressure.
 Do not couple-uncouple with flow in the circuit.
 Do not couple-uncouple when the temperature inside of the circuit is higher than 80 °C (176 °F).
 Check the maximum allowable working pressure of the port in use.
 It is important to limit contamination in the circuit to avoid compromising the function of the internal valves.
 Make sure that the medium used is compatible with seal and material as indicated for each series.
 Do not force the lever without pushing the red safety button.
 Do not use extensions or other tools to ease the rotating of the lever.
 Do not connect the fixed half with the mobile half if dirt or tools are between them.
 Pay attention during the connection not to put finger between the plates.
 We advise to assemble the multiconnection with the female face down in order to allow water or moisture to be drained easily.
 Do not exceed single coupling performance and total multiconnection resistance of the multiconnection (please refer to dedicated datasheet).
 Do not to pressurize the "auxiliary line with FAP9-3/8" line as this line has to be used for drain line only.
 When the multicoupling is disconnected, it is suggested to use the protection cover for the fixed half and the parking station for the mobile half.
 Do not to modify, disassemble or damage the multiconnection, part of it or coupling/electrical connector, the lever or safety lock system.
 Stucchi Multiconnection BM2-V01 is intended to be used for hydraulic oil applications: do not use the products for dangerous, inflammable or explosive fluids.
 The quick coupling FAP-AS series is intended to be used only on Stucchi Multiconnections BM2-V01. Do not use the FAP-AS coupling on a Custom-made multiconnection or other device different than a Stucchi Multiconnection.
 In case of doubt please contact Stucchi Technical Support.
It is MANDATORY to read and closely follow the instructions. Last updated version always applies at time of installation, see latest Instructions and warnings on Stucchi website before selecting or using Stucchi products.

BM3 1A-2E-1EC

SPECIAL SERIES



FAP9 (A) 3/8"	FAP13 (B) 1/2"	FAP15 (C) 5/8"	FAP17 (D) 3/4"	FAP21 (E) 1"	FAP30 (G) 1-1/2"	EC instead of DN9 or DN13
1 D				2 - special		1

Technical specifications and options



Interchange
Stucchi profile



Sealing
Nitrile NBR



Available sizes
1"



Material
Aluminium, Carbon steel



Valving style
Flat face



Connection Under Pressure
Allowed with Easy CUP



Operating pressure
up to 350 bar



Locking mechanism
Pin, Cam



Temperature
-20°C / +100°C



Connection system
Lever



Available threads
NPT



Flow rate
up to 378 l/min

Benefits

- Specifically designed to connect simultaneously two 1" lines: one pressure line and one return line which work by the flow reversal.
- The lever/cam system minimizes the force required to connect the couplings, even with significant pressure trapped in the circuit and under difficult conditions (environment, access, etc.).
- The locking mechanism ensures a full connection and prevents any accidental disconnection.
- Designed to be used with hydraulic oil for fluid power application.
- Safety system on the mobile plate avoids accidental falling during the disconnection.
- Special rubber seal prevents dirt inclusion.
- The additional service line can be used with optional electrical connector or one drain line FAP9D.
- Robust guidance pins guarantee the correct alignment before the connection.
- Parking station and cover plate protect the system from contamination and damage, as well as providing a convenient storage solution.
- Flat face couplings are easy to clean, reducing the inclusion of contamination to the hydraulic circuit.
- Internal valve design creates minimal pressure drop, maintaining circuit efficiency in the system.
- Minimal fluid loss during disconnection, reducing fluid loss to the environment.
- Minimal air inclusion during connection/disconnection.
- High resistance at impulse pressures.
- Safe and simple to use.

Main applications



Features

MOBILE

Flat face design

Robust guidance pins guarantee the centering before connecting the couplings

Special seal to avoid dirt inclusion

Special internal valve to allow connection and disconnection with residual pressure

Removable handle

FIX

Additional safety system to avoid falling during the disconnection

CAP

Integrated pins protections

Fixing holes

Optional support for removable lever

Special seal to avoid dirt inclusion

Safety lock system avoids accidental disconnection

PARKING STATION

Ergonomic lever for easy connection and disconnection

Performances (with FAP21)

Size	Series	Max. flow suggested		Spillage*	Max. operating pressure					
		l/min	GPM		Coupled		Male		Female	
Inch				ml	MPa	psi	MPa	psi	MPa	psi
1	FAP21AS	378	100,17	0,1	42	6000	42	6000	42	6000

* Spillage is an indicative value of the fluid loss per couple-uncouple cycle.

IMPORTANT

Both the couplings can work at the max. operating pressure, but in an alternating way: when one coupling is in pressure the other coupling shall be with no pressure (return line).

FAP9D line is only for drain line (max. operating pressure 1 Mpa).

Temperature range: Standard seals NBR, PUR, POM from -20 °C to +100 °C (from -4 °F to +212 °F).

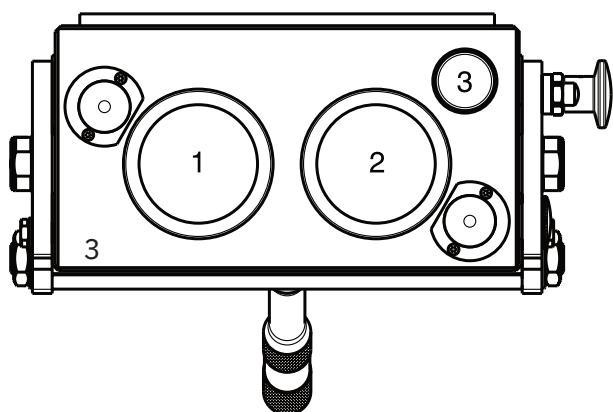
Tests: The couplings have been tested at max. operating pressure in accordance with ISO norm for 200.000 impulses coupled and 100.000 impulses uncoupled.

Different threads available upon request.

Installation, use and maintenance

- Install the fixed multiconnection with the proper fixing holes, by referring to the drawing shown in the datasheet.
- Install the flexible hoses on the coupling of the fixed and mobile multiconnection, by screwing them with proper torque.
- Clean the mating surface of the parts prior to connect.
- Insert and lock the removable lever in the corresponding hole on the lever system of the fixed multiconnection.
- Put the lever of the fixed multiconnection in complete open position, by disengaging the locking button and rotate the lever until the button is again engaged in the open position.
- Connect the mobile multiconnection by engaging the guiding pins into the fixed multiconnection.
- Disengage the button of the safety lock then connect the multiconnection by rotating the lever until the stroke is complete and the locking button engaged again in the closed position.
- Disconnect the lever from the fixed part in order to avoid injuries from fall or lose it. Park it in the proper (optional) support.
- When the mobile is connected with the fixed multiconnection, the cap can be easily parked in the parking station.
- To disconnect, insert the lever and disengage the locking button then rotate by doing vice versa the sequence above described.
- Then disengage the safety “anti-fall” locking system by pulling the knob on the mobile and separate the mobile multiconnection.
- After disconnection, clean the parts and apply the cap on the fixed part then connect the mobile part in the parking station to protect from dust and dirt.
- Disconnect and put the lever in the support.
- Clean frequently the multiconnection and the components.
- If needed, lubricate the connection and guiding parts.
- Check periodically the multiconnection by looking for leakage, damage or malfunctioning.

Configurations



Possible configurations

Position	Coupling Size	Predisposition for electrical connector
1	FAP21AS	-
2	FAP21AS	-
3	FAP9D	YES

Electrical connectors part number:
806422060 F EC7BM - 806422061 M EC7BM.

For FAP9D and plugs part number see the Stucchi Multicoupling Catalog.

Plates and spare parts

Multicoupling (couplings included)

Code	Name	Description
870017114	MULTI FIX BM3 2E Provided with removable lever	2 FAP21AS 1-1/4 NPT
870017214	MULTI MOBILE BM3 2E	2 FAP21AS 1-1/4 NPT

Multicoupling spare parts (couplings not included)

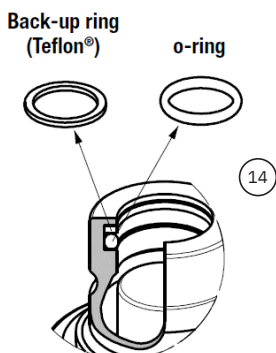
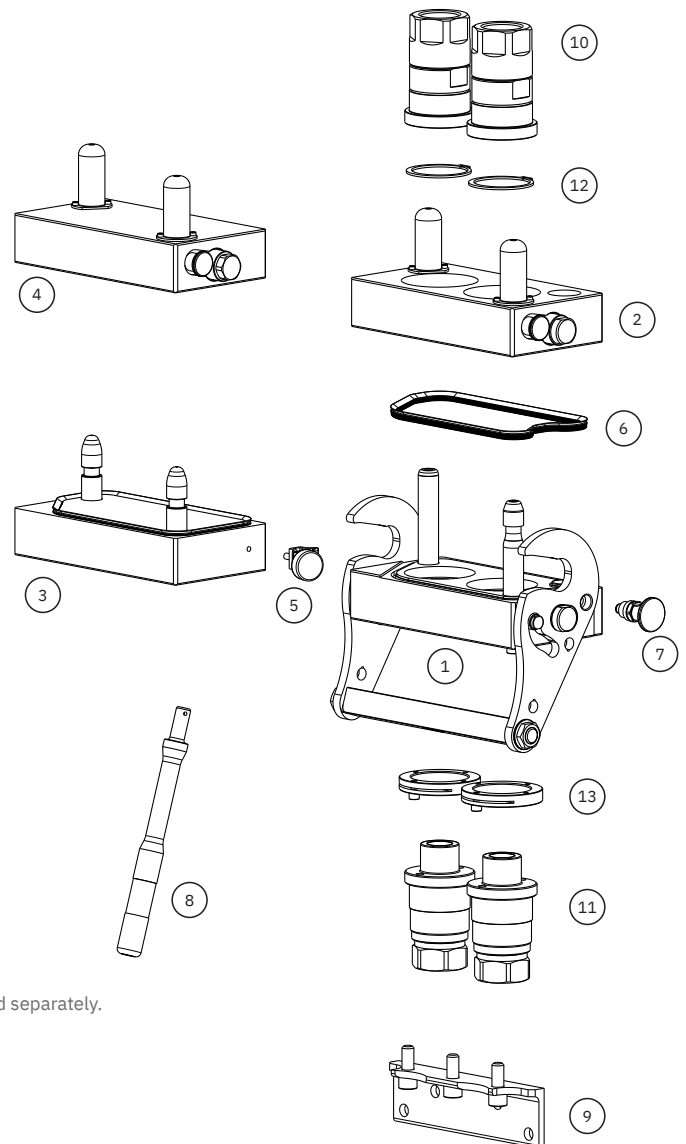
Code	Name	Key
806000430	MULTI FIX EMPTY BM3 1A-2E-1EC Removable lever and bracket not included, to be ordered separately	1
806000431	MULTI MOBILE EMPTY BM3 1A-2E-1EC	2
815606324	PARKING STATION MOBILE MULTICOUPLING BM 235x124	3
815606323	CAP FIX MULTI COUPLING BM 235X124	4
815524016	SUPPORT FOR LEVER BM	5
815701190	SPARE KIT DUST SEAL PLATE BM3	6
815701280	SPARE KIT SAFETY BUTTON BM	7
815701281	SPARE KIT REMOVABLE HANDLE BM	8
815701303	KIT BRACKET BM3 210x60	9

Spare parts

Code	Name	Key
807101002*	F FAP21AS1 1-1/4 NPT	10
807101003**	M FAP21AS1 1-1/4 NPT	11
815701154	SPARE KIT SEEGER F FAP21AS1	12
815701155	SPARE KIT LOCKING SLEEVE M FAP21AS1	13
815701159	SPARE KIT SEAL PUR M FAP21AS1	14

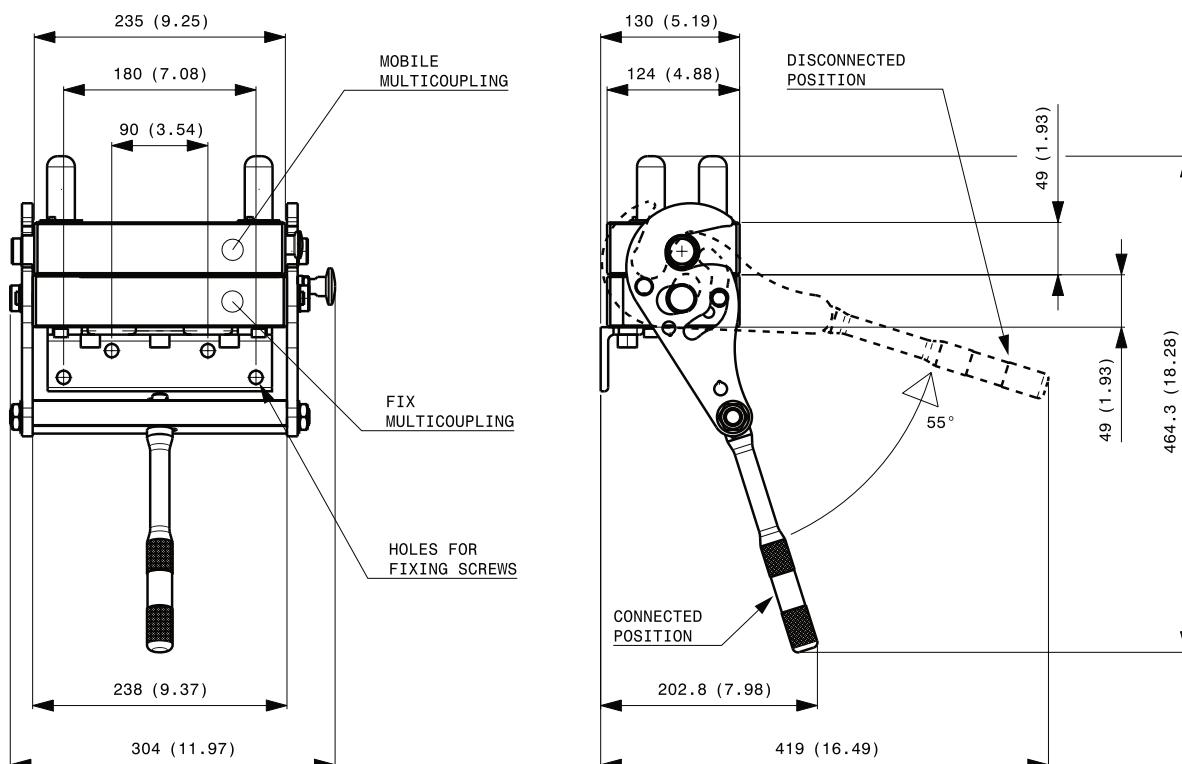
* Seeger ring is not included in the female coupling; to be ordered separately.

** Male locking sleeve and screw are not included in the female coupling; kit to be ordered separately.

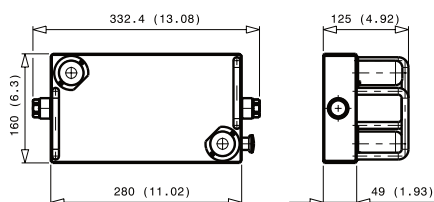


Overall dimensions

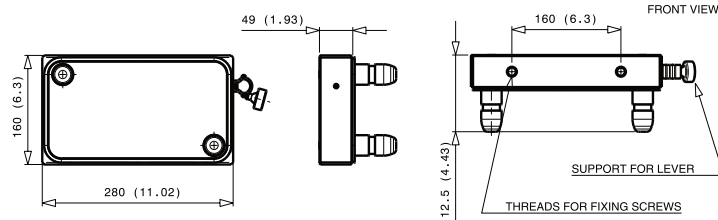
Fixed and mobile multicoupling



Cap for fix multicoupling



Parking station for mobile multicoupling



⚠ WARNINGS

A defect, a wrong choice or an improper use of products, can cause injury to persons, animals and objects.

Connect under pressure products are suitable to be connected under residual (static) pressure.

Never connect or disconnect with dynamic pressure (e.g. pump on).

Do not use the female coupling disconnected with high impulse pressure.

Do not couple-uncouple with flow in the circuit.

Do not couple-uncouple when the temperature inside of the circuit is higher than 80 °C (176 °F).

Check the maximum allowable working pressure of the port in use.

It is important to limit contamination in the circuit to avoid compromising the function of the internal valves.

Make sure that the medium used is compatible with seal and material as indicated for each series.

Do not force the lever without pushing the red safety button.

Do not use extensions or other tools to ease the rotating of the lever.

Do not connect the fixed half with the mobile half if dirt or tools are between them.

Pay attention during the connection not to put finger between the plates.

We advise to assemble the multiconnection with the female face down in order to allow water or moisture to be drained easily.

Do not exceed single coupling performance and total multiconnection resistance of the multiconnection (please refer to dedicated datasheet).

Do not to pressurize the "auxiliary line with FAP9-3/8" line as this line has to be used for drain line only.

When the multicoupling is disconnected, it is suggested to use the protection cover for the fixed half and the parking station for the mobile half.

Do not to modify, disassemble or damage the multiconnection, part of it or coupling/electrical connector, the lever or safety lock system.

Stucchi Multiconnection BM3 is intended to be used for hydraulic oil applications: do not use the products for dangerous, inflammable or explosive fluids.

The quick coupling FAP-AS series is intended to be used only on Stucchi Multiconnections BM. Do not use the FAP-AS coupling on a custom-made multiconnection or other device different than a Stucchi Multiconnection.

In case of doubt please contact Stucchi Technical Support.

It is MANDATORY to read and closely follow the instructions. Last updated version always applies at time of installation, see latest Instructions and warnings on Stucchi website before selecting or using Stucchi products.

BM3 1A-2G-1EC

SPECIAL SERIES



FAP9 (A) 3/8"	FAP13 (B) 1/2"	FAP15 (C) 5/8"	FAP17 (D) 3/4"	FAP21 (E) 1"	FAP30 (G) 1-1/2"	EC instead of DN9 or DN13
1 D					2 - special	1

Technical specifications and options



Interchange
Stucchi profile



Sealing
Nitrile NBR



Available sizes
1-1/2"



Material
Aluminium, Carbon steel



Valving style
Flat face



Connection Under Pressure
Allowed with Easy CUP



Operating pressure
up to 350 bar



Locking mechanism
Pin, Cam



Temperature
-20°C / +100°C



Connection system
Lever



Available threads
NPT, SAE



Flow rate
up to 750l/min

Benefits

- Specifically designed to connect simultaneously two 1-1/2" lines: one pressure line and one return line which work by the flow reversal.
- The lever/cam system minimizes the force required to connect the couplings, even with significant pressure trapped in the circuit and under difficult conditions (environment, access, etc.).
- The locking mechanism ensures a full connection and prevents any accidental disconnection.
- Designed to be used with hydraulic oil for fluid power application.
- Safety system on the mobile plate avoids accidental falling during the disconnection.
- Special rubber seal prevents dirt inclusion.
- The additional service line can be used with optional electrical connector or one drain line FAP9 (3/8).
- Robust guidance pins guarantee the correct alignment before the connection.
- Parking station and cover plates protect the system from contamination and damage, as well as to provide a convenient storage solution.
- Flat face couplings are easy to clean, reducing the inclusion of contamination to the hydraulic circuit.
- Internal valve design creates minimal pressure drop, maintaining circuit efficiency in the system.
- Minimal fluid loss during disconnection, reducing fluid loss to the environment.
- Minimal air inclusion during connection/disconnection.
- High resistance at impulse pressures.
- Safe and simple to use.

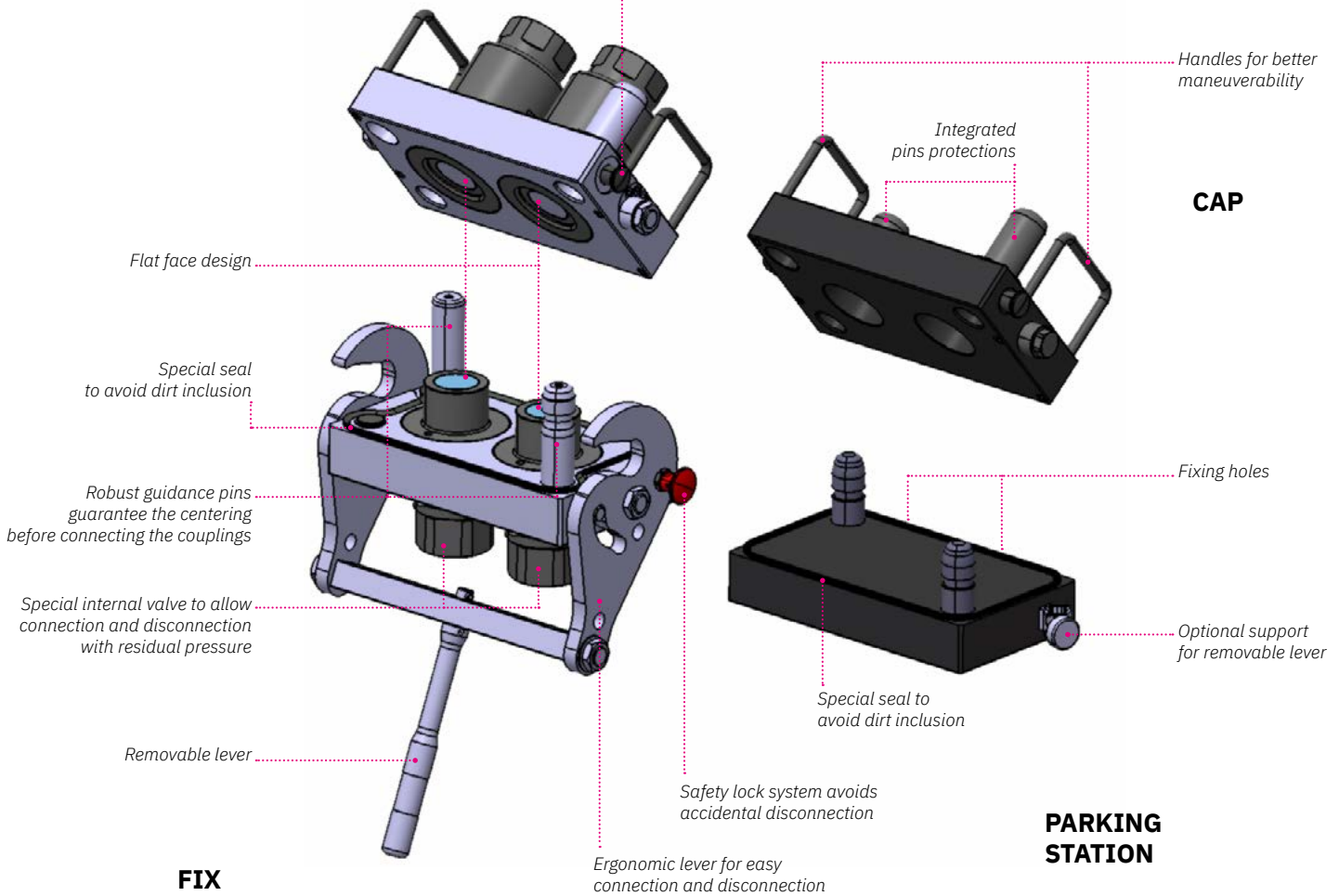
Main applications



Features

MOBILE

Additional safety system to avoid falling during the disconnection



CAP

PARKING STATION

FIX

Performances (with FAP30)

Size	Series	Max. flow suggested		Spillage*	Max. operating pressure					
		l/min	GPM		Coupled		Male		Female	
Inch				ml	MPa	psi	MPa	psi	MPa	psi
1-1/2	FAP30AS2	750	198,75	0,2	35	5075	35	5075	27	3915

* Spillage is an indicative value of the fluid loss per couple-uncouple cycle.

IMPORTANT

Both the couplings can work at the max. operating pressure, but in an alternating way: when one coupling is in pressure the other coupling shall be with no pressure (return line).

FAP9 line is only for drain line (max. operating pressure 1 Mpa).

Temperature range: Standard seals NBR, PUR, POM from -20 °C to +100 °C (from -4 °F to +212 °F).

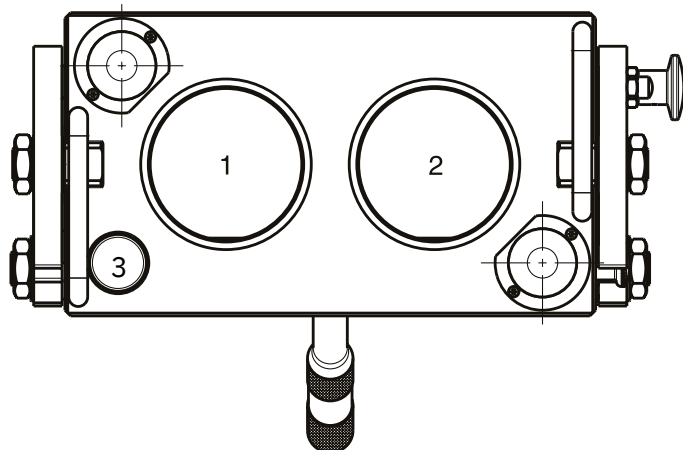
Tests: The couplings have been tested at max. operating pressure for 200.000 impulses in connected position in accordance with ISO norm.

Different threads available upon request.

Installation, use and maintenance

- Install the fixed multiconnection with the proper fixing holes, by referring to the drawing shown in the datasheet.
- Install the flexible hoses on the coupling of the fixed and mobile multiconnection, by screwing them with proper torque.
- Clean the mating surface of the parts prior to connect.
- Insert and lock the removable lever in the corresponding hole on the lever system of the fixed multiconnection.
- Put the lever of the fixed multiconnection in complete open position, by disengaging the locking button and rotate the lever until the button is again engaged in the open position.
- Connect the mobile multiconnection by engaging the guiding pins into the fixed multiconnection.
- Disengage the button of the safety lock then connect the multiconnection by rotating the lever until the stroke is complete and the locking button engaged again in the closed position.
- Disconnect the lever from the fixed part in order to avoid injuries from fall or lose it. Park it in the proper (optional) support.
- When the mobile is connected with the fixed multiconnection, the cap can be easily parked in the parking station.
- To disconnect, insert the lever and disengage the locking button then rotate by doing vice versa the sequence above described.
- Then disengage the safety “anti-fall” locking system by pulling the knob on the mobile and separate the mobile multiconnection.
- After disconnection, clean the parts and apply the cap on the fixed part then connect the mobile part in the parking station to protect from dust and dirt.
- Disconnect and put the lever in the support.
- Clean frequently the multiconnection and the components.
- If needed, lubricate the connection and guiding parts.
- Check periodically the multiconnection by looking for leakage, damage or malfunctioning.

Configurations



Possible configurations

Position	Coupling Size	Predisposition for electrical connector
1	FAP30	-
2	FAP30	-
3	FAP9D	YES

Plates and spare parts

Multicoupling (couplings included)

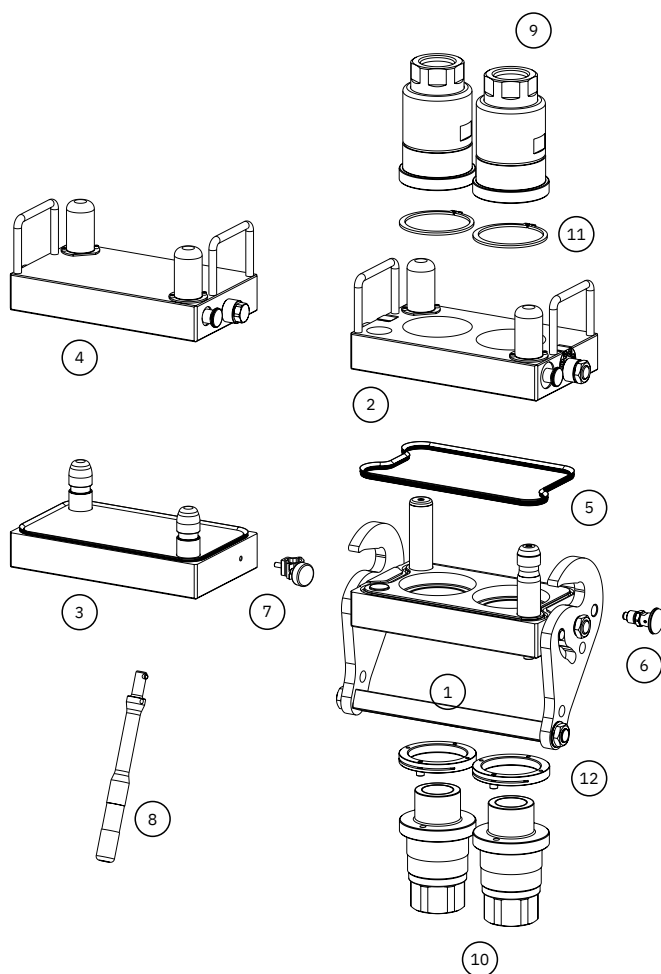
Code	Name	Description
870017109	MULTI FIX BM3 2G Provided with removable lever	2 FAP30AS 1-1/2 NPT
870017209	MULTI MOBILE BM3 2G	2 FAP30AS 1-1/2 NPT
870017111	MULTI FIX BM3 2G Provided with removable lever	2 FAP30AS 1-1/2 SAE
870017211	MULTI MOBILE BM3 2G	2 FAP30AS 1-1/2 SAE
870017112	MULTI FIX BM3 2G Provided with removable lever	2 FAP30AS 1-1/2 BSP
870017212	MULTI MOBILE BM3 2G	2 FAP30AS 1-1/2 BSP

Multicoupling spare parts (couplings not included)

Code	Name	Key
806000424	MULTI FIX EMPTY BM3 1A-2G-1EC Removable lever not included to be ordered separately	1
806000425	MULTI MOBILE EMPTY BM3 1A-2G-1EC	2
815606319	PARKING STATION MOBILE BM 280X160	3
815606320	CAP FIX MULTI BM 280X160	4
815701190	SPARE KIT DUST SEAL PLATE BM3	5
815701280	SPARE KIT SAFETY BUTTON BM	6
815524016	SUPPORT FOR LEVER BM	7
815701281	SPARE KIT REMOVABLE HANDLE BM	8

Spare parts

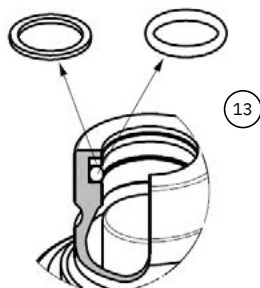
Code	Name	Key
807101006*	F FAP30AS2 1-1/2 NPT	9
807101007**	M FAP30AS2 1-1/2 NPT	10
807104010*	F FAP30AS2 1-1/2 SAE	9
807104011**	M FAP30AS2 1-1/2 SAE	10
807100058*	F FAP30AS2 1-1/2 BSP	9
807100059**	M FAP30AS2 1-1/2 BSP	10
815701156	SPARE KIT SEEGER F FAP30AS2	11
815701157	SPARE KIT LOCKING SLEEVE M FAP30AS2	12
815701171	SPARE KIT OR NBR+BK M FAP30AS2	13



* Seeger ring is not included in the female coupling; to be ordered separately.
 ** Male locking sleeve and screw are not included in the female coupling; kit to be ordered separately.

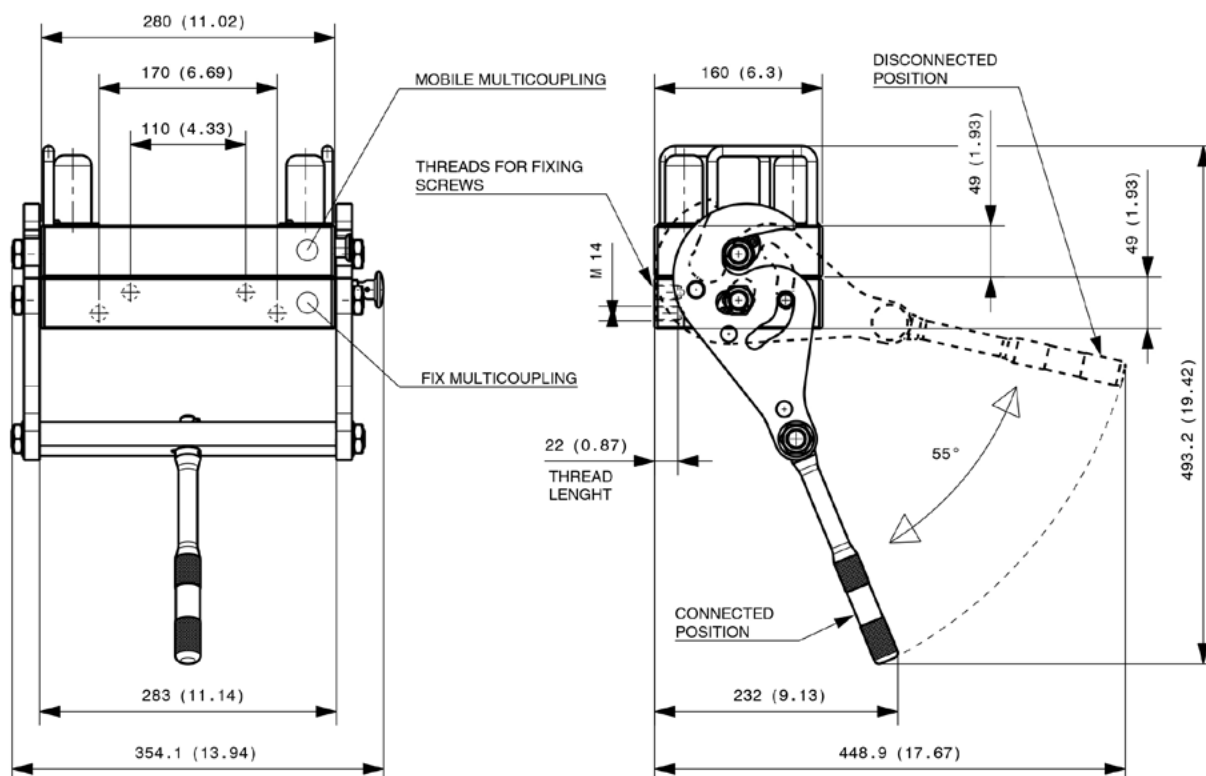
**Back-up ring
(Teflon®)**

o-ring

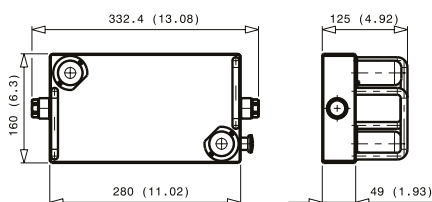


Overall dimensions

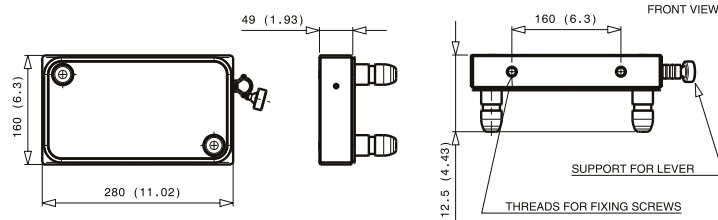
Fixed and mobile multicoupling



Cap for fix multicoupling



Parking station for mobile multicoupling



⚠ WARNINGS

A defect, a wrong choice or an improper use of products, can cause injury to persons, animals and objects.

Connect under pressure products are suitable to be connected under residual (static) pressure.

Never connect or disconnect with dynamic pressure (e.g. pump on).

Do not use the female coupling disconnected with high impulse pressure.

Do not couple-uncouple with flow in the circuit.

Do not couple-uncouple when the temperature inside of the circuit is higher than 80 °C (176 °F).

Check the maximum allowable working pressure of the port in use.

It is important to limit contamination in the circuit to avoid compromising the function of the internal valves.

Make sure that the medium used is compatible with seal and material as indicated for each series.

Do not force the lever without pushing the red safety button.

Do not use extensions or other tools to ease the rotating of the lever.

Do not connect the fixed half with the mobile half if dirt or tools are between them.

Pay attention during the connection not to put finger between the plates.

We advise to assemble the multicoupling with the female face down in order to allow water or moisture to be drained easily.

Do not exceed single coupling performance and total multiconnection resistance of the multicoupling (please refer to dedicated datasheet).

Do not to pressurize the "auxiliary line with FAP9-3/8" line as this line has to be used for drain line only.

When the multicoupling is disconnected, it is suggested to use the protection cover for the fixed half and the parking station for the mobile half.

Do not to modify, disassemble or damage the multiconnection, part of it or coupling/electrical connector, the lever or safety lock system.

Stucchi Multiconnection BM3 is intended to be used for hydraulic oil applications: do not use the products for dangerous, inflammable or explosive fluids.

The quick coupling FAP-AS series is intended to be used only on Stucchi Multiconnections BM. Do not use the FAP-AS coupling on a custom-made multiconnection or other device different than a Stucchi Multiconnection.

In case of doubt please contact Stucchi Technical Support.

It is MANDATORY to read and closely follow the instructions. Last updated version always applies at time of installation, see latest Instructions and warnings on Stucchi website before selecting or using Stucchi products.