

Features



Sealing description
NBR



Available sizes
1/2"



Operating pressure
250 bar



Available threads
BSP



Material
Aluminium



Temperature
-20°C / +100°C

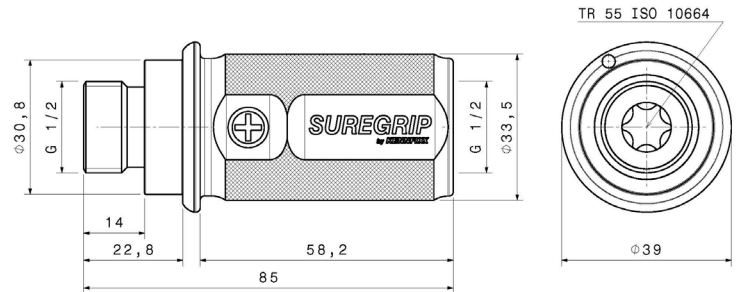


A colored aluminium extra grip to help identify lines and increase the ease of handling during connection and disconnection phases.

- Non-slip marking grips easily mounted into the hydraulic line positioned between the hose and the coupling
- Simple identification: simplifies when connecting multiple lines.
- Durable hydraulic grip in anodized aluminium.
- The knurled finish provides a wider, non-slip surface to help during connection/disconnection
- 5 colors available.
- BSP (male/female) thread.
- Available also in kit with Stucchi I12GS L15 male quick coupling, cap included.
- Parking station with 4 magnetic spots available.



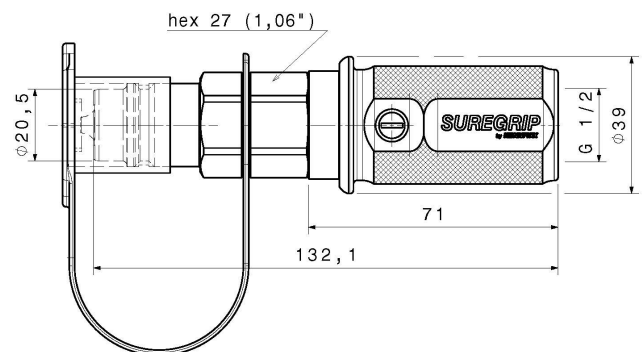
Dimensions



Weight: 0,127 kg – 0,280 lb

Item code	Product name
820900001	SUREGRIP 12 BSP PLUS - 12 BSP EXT BLUE
820900002	SUREGRIP 12 BSP MINUS - 12 BSP EXT BLUE
820900003	SUREGRIP 12 BSP PLUS - 12 BSP EXT YELLOW
820900004	SUREGRIP 12 BSP MINUS - 12 BSP EXT YELLOW
820900005	SUREGRIP 12 BSP PLUS - 12 BSP EXT RED
820900006	SUREGRIP 12 BSP MINUS - 12 BSP EXT RED
820900007	SUREGRIP 12 BSP PLUS - 12 BSP EXT GREEN
820900008	SUREGRIP 12 BSP MINUS - 12 BSP EXT GREEN
820900009	SUREGRIP 12 BSP PLUS - 12 BSP EXT BLACK
820900010	SUREGRIP 12 BSP MINUS - 12 BSP EXT BLACK

Tightening torque: 90 Nm / 66,38 lbf ft

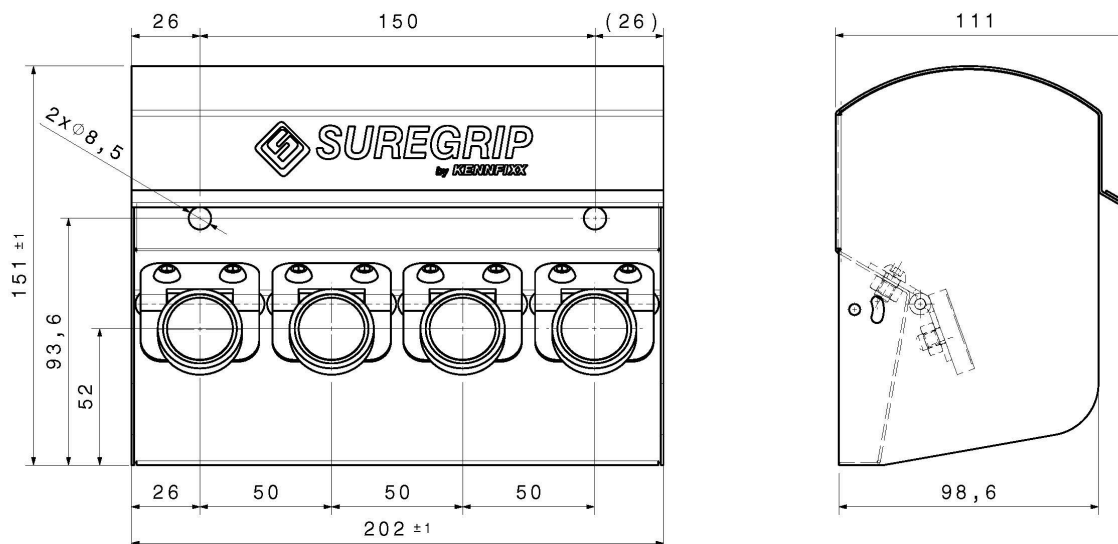


Weight: 0,274 kg – 0,604 lb

Item code	Product name
820900011	SUREGRIP 12 BSP BLUE PLUS + CAP + M I12GS L15
820900012	SUREGRIP 12 BSP BLUE MINUS + CAP + M I12GS L15
820900013	SUREGRIP 12 BSP YELLOW PLUS + CAP + M I12GS L15
820900014	SUREGRIP 12 BSP YELLOW MINUS + CAP + M I12GS L15
820900018	SUREGRIP 12 BSP RED PLUS + CAP + M I12GS L15
820900019	SUREGRIP 12 BSP RED MINUS + CAP + M I12GS L15
820900020	SUREGRIP 12 BSP GREEN PLUS + CAP + M I12GS L15
820900021	SUREGRIP 12 BSP GREEN MINUS + CAP + M I12GS L15
820900022	SUREGRIP 12 BSP BLACK PLUS + CAP + M I12GS L15
820900023	SUREGRIP 12 BSP BLACK MINUS + CAP + M I12GS L15

Tightening torque: 90 Nm / 66,38 lbf ft

Parking station



Weight: 1,18 kg – 2,601 lb

Item code	Product name
82090024	SUREGRIP 4 PARKING STATION



For more information please contact Stucchi Technical Support.