

VOFXSERIES

INTERCHANGE > Similar Couplings (Oil & Gas)



BOP



TECHNICAL FEATURES AND OPTIONS

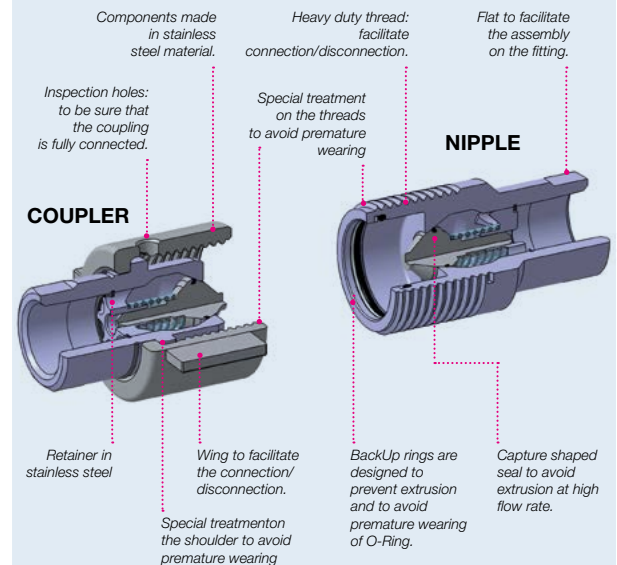
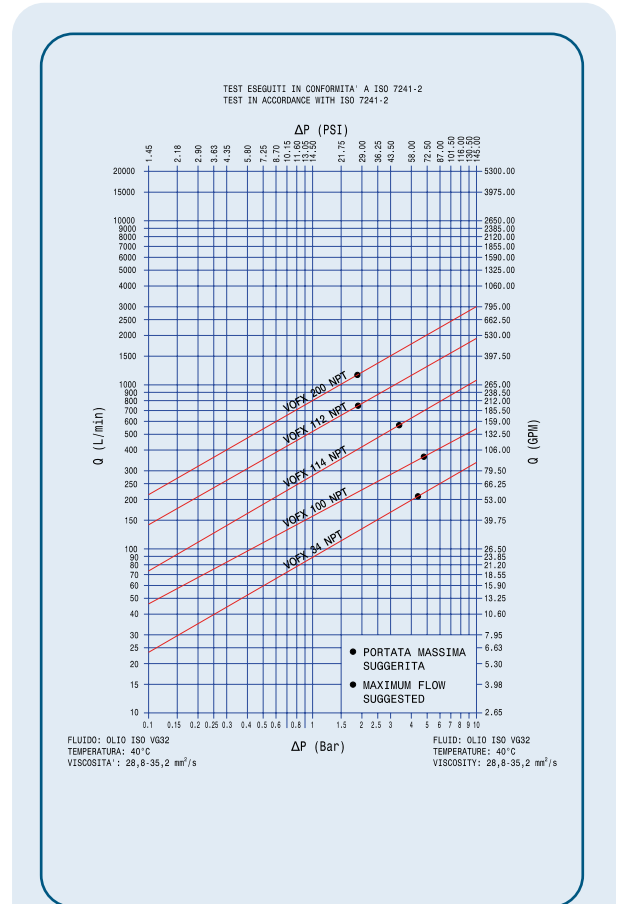
	Interchange Similar Couplings (Oil & Gas)		Sealing description Nitrile NBR		Connection system Screw
	Available sizes From 3/4" to 2"		Material Stainless steel (AISI 316L)		Available threads NPT - BSP
	Operating pressure Up to 207 bar		Locking mechanism Screw to connect		Flow rate Up to 1100 l/min
	Temperature (°C) -20°C / +100°C		Valving style Poppet		Connection under pressure Connection: one side Disconnection: not allowed

BENEFITS

- Connection under residual pressure is allowed in one side.
- Inspection hole to control if the coupling is completely connected.
- All dimensions of Stucchi VOFX series are certified with Lloyd Type Approval in accordance with API 16D at specific rating pressure of 207 bar/3000 PSI.
- New treatment on the threads to avoid premature wearing.
- Wrench flat on the bodies to facilitate the fitting assembly.
- The poppet valve with elastomer seal provides maximum sealing of the couplings when disconnected.
- Retainer in stainless steel material.
- Shape of internal parts is designed to reduce turbulence and pressure drop.
- High resistance to pressure impulses (500.000 connected).
- Compact design.
- Simple to use.

HOW TO USE

- Before to connect, clean the mating surface of the couplings and spread anti galling paste on the thread.
- To connect insert the nipple in the coupler, screw the sleeve until positive stop (surface contact of two moving parts), do not push together the couplings, screw only.
- The use of tools for the second part of the connection can be necessary if there is high residual pressure in the circuit.
- Check inspection holes to ensure that the coupling is fully connected (no free space allowed).
- To disconnect unscrew totally the sleeve from the nipple.



MAIN APPLICATIONS



POPET SCREW


PERFORMANCES

Size		Series/Size	Max. flow suggested		Manual connect torque*		Manual disconnect torque*		Spillage**
in	mm		l/min	gpm	Nm	lbf ft	Nm	lbf ft	ml
3/4"	20	VOFX34	212	56,18	2,3	1,70	2,3	1,70	11,5
1"	25	VOFX100	378	100,17	2,5	1,84	2,5	1,84	21,2
1-1/4"	31,5	VOFX114	576	152,64	3	2,21	3	2,21	42,3
1-1/2"	40	VOFX112	758	200,87	15,1	11,14	15,2	11,21	82,6
2"	50	VOFX200	1100	291,50	10	7,38	10	7,38	192,0

Size	Series/Size	Max. operating pressure						Burst pressure					
		Coupled		Nipple		Coupler		Coupled		Nipple		Coupler	
in		MPa	psi	MPa	psi	MPa	psi	MPa	psi	MPa	psi	MPa	psi
3/4"	VOFX34	20,7	3000	20,7	3000	20,7	3000	82,8	12000	62,1	9000	62,1	9000
1"	VOFX100	20,7	3000	20,7	3000	20,7	3000	82,8	12000	62,1	9000	62,1	9000
1-1/4"	VOFX114	20,7	3000	20,7	3000	20,7	3000	82,8	12000	62,1	9000	62,1	9000
1-1/2"	VOFX112	20,7	3000	20,7	3000	20,7	3000	82,8	12000	62,1	9000	62,1	9000
2"	VOFX200	20,7	3000	20,7	3000	20,7	3000	82,8	12000	62,1	9000	41,4	6000

* Connect torque and disconnect torque without residual pressure. The torque to connect increase with increasing of internal residual pressure.

** Spillage is an indicative value of the fluid loss per couple-uncouple cycle without residual pressure.

 Only configurations mentioned in the dedicated BOP section of this catalog are BOP certified. For complete technical information please contact Stucchi Technical Support.

Different possible configurations:

SAE thread available upon request.

Material:

- Construction: Stainless steel AISI 316L
- Springs and elastic rings: AISI 302

Temperature range:

Standard seals NBR from -20°C to +100°C (from -4°F to +212°F).
Seals in NBR (Nitrile) with water from +5°C to +60°C (from +41°F to +140°F).
Please read carefully Instructions and warnings for proper selection of the products.

Tests performed:

The couplings coupled have been tested at max. operating pressure for 500.000 impulses in accordance with ISO norm.
The couplings uncoupled have been tested for 100.000 impulses.

WARNING

A defect, a wrong choice or an improper use of products, can cause injury to persons, animals and objects.

Never connect or disconnect with dynamic pressure (e.g. pump on).

Do not couple-uncouple with flow in the circuit.

Do not couple-uncouple when the temperature inside of the circuit is higher than 80 °C (176 °F).

Do not use the coupling disconnected with high impulse pressure.

Connect under pressure products are suitable to be connected under residual (static) pressure.

Connection with residual pressure (pressure trapped in the circuit) allowed with other side coupling to drain.

Check the maximum allowable working pressure of the port in use.

Make sure that the medium used is compatible with seal and material as indicated for each series.

In case of doubt please contact Stucchi Technical Support.

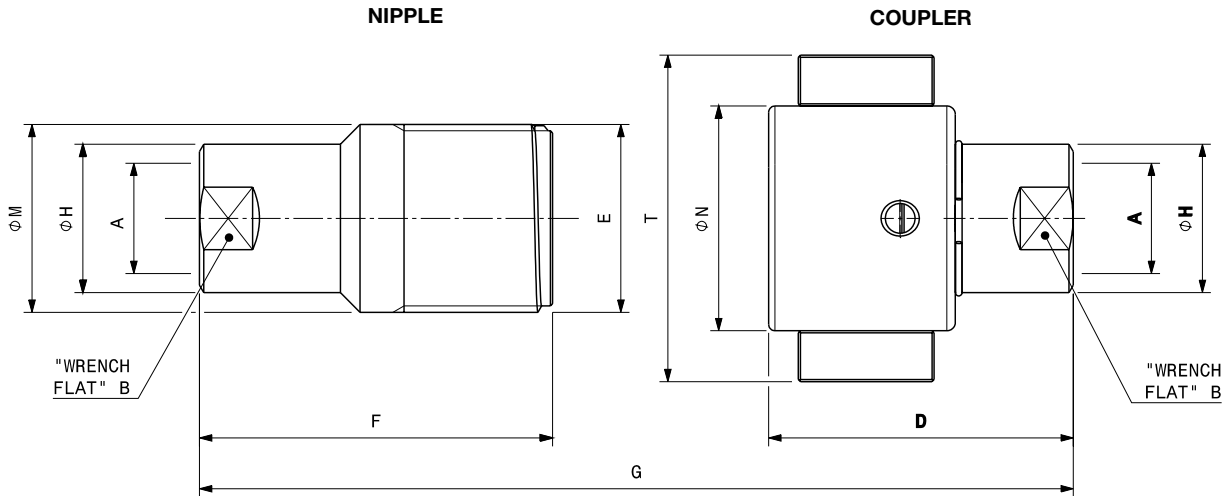
The interchangeability is mentioned under the assumption that the manufacturer of the considered products has not changed any dimension.

It is mandatory to carefully read and closely follow the instructions before selecting or using any Stucchi products.

Always refer to the version uploaded in the Instructions and warning section of stucchigroup.com website for the latest release.

For specific, product-related, instructions, please contact Stucchi technical service.

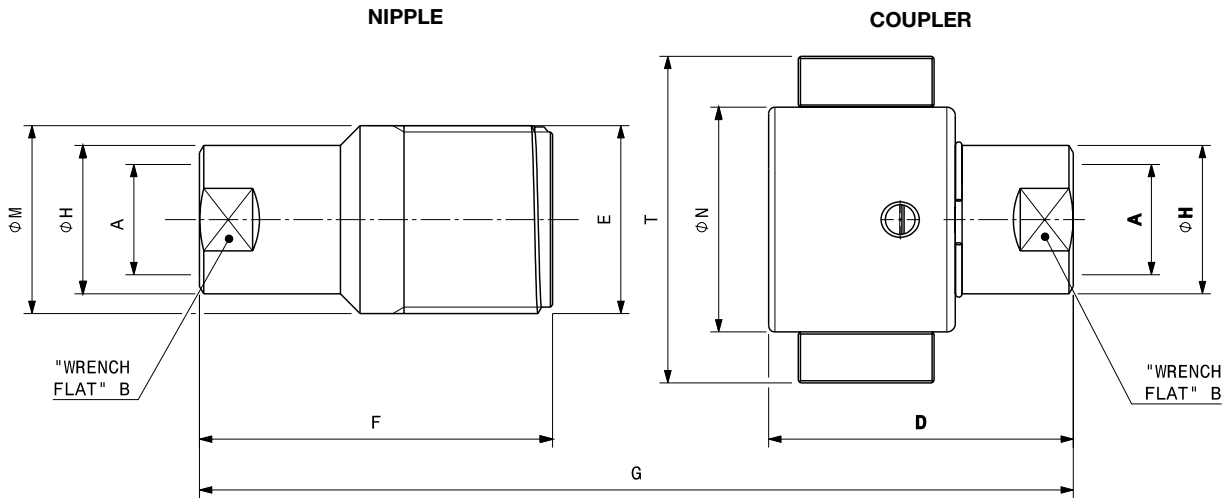
OVERALL DIMENSIONS



Port description: FEMALE THREAD NPT (ANSI B.1.20.1)

BODY SIZE	Descriptive Code	Item Code	PORT (A)	Thread	Overall Length		Length		Hex		Diameter						
					mm	in	mm	in	mm	in	mm	in					
3/4"	VOFX34 NPT Nipple	811201050	3/4"	E	1 3/4-8" special	G	123,6	4,87	F	83,2	3,28	B	31,8	1,25	H	35,0	1,38
	VOFX34 NPT Coupler	811201051							D	71,8	2,83						
1"	VOFX100 NPT Nipple	811201052	1"	E	2 1/4-6 Stub ACME	G	152,9	6,02	F	105,8	4,17	B	41,3	1,63	H	45,0	1,77
	VOFX100 NPT Coupler	811201053							D	87,3	3,44						
1-1/4"	VOFX114 NPT Nipple	811201054	1-1/4"	E	2 5/8-6 Stub ACME	G	197,9	7,79	F	136,7	5,38	B	50,8	2,00	H	54,5	2,15
	VOFX114 NPT Coupler	811201055							D	112,4	4,43						
1-1/2"	VOFX112 NPT Nipple	811201056	1-1/2"	E	3 1/4-4 Stub ACME	G	220,3	8,67	F	151,2	5,95	B	57,2	2,25	H	63,5	2,50
	VOFX112 NPT Coupler	811201057							D	126,9	5,00						
2"	VOFX200 NPT Nipple	811201058	2"	E	4-4 Stub ACME	G	255,2	10,05	F	179,0	7,05	B	76,2	3,00	H	82,6	3,25
	VOFX200 NPT Coupler	811201059							D	154,2	6,07						

BODY SIZE	Descriptive Code	Item Code		Diameter		Max overall dimension		Weight	
				mm	in	mm	in	kg	lb
3/4"	VOFX34 NPT Nipple	811201050	M	44,3	1,74			0,48	1,05
	VOFX34 NPT Coupler	811201051	N	53,0	2,09	T	77,0	3,03	0,61
1"	VOFX100 NPT Nipple	811201052	M	57,2	2,25			1,19	2,62
	VOFX100 NPT Coupler	811201053	N	69,0	2,72	T	109,0	4,29	1,38
1-1/4"	VOFX114 NPT Nipple	811201054	M	66,7	2,62			1,95	4,30
	VOFX114 NPT Coupler	811201055	N	80,0	3,15	T	120,0	4,72	2,27
1-1/2"	VOFX112 NPT Nipple	811201056	M	82,6	3,25			3,22	7,11
	VOFX112 NPT Coupler	811201057	N	95,0	3,74	T	145,0	5,71	3,84
2"	VOFX200 NPT Nipple	811201058	M	101,6	4,00			6,04	13,32
	VOFX200 NPT Coupler	811201059	N	122,5	4,82	T	182,5	7,19	8,10



Port description: FEMALE THREAD BSPP (ISO 1179-1)

BODY SIZE	Descriptive Code	Item Code	PORT (A)	Thread		Overall Length		Length		Hex		Diameter					
						mm	in	mm	in	mm	in	mm	in				
3/4"	VOFX34 BSP	Nipple 811200050	3/4"	E	1 3/4-8* special	G	123,6	4,87	F	83,2	3,28	B	31,8	1,25	H	35,0	1,38
	VOFX34 BSP	Coupler 811200051							D	71,8	2,83						
1"	VOFX100 BSP	Nipple 811200052	1"	E	2 1/4-6 Stub ACME	G	152,9	6,02	F	105,8	4,17	B	41,3	1,63	H	45,0	1,77
	VOFX100 BSP	Coupler 811200053							D	87,3	3,44						
1-1/4"	VOFX114 BSP	Nipple 811200054	1-1/4"	E	2 5/8-6 Stub ACME	G	197,9	7,79	F	136,7	5,38	B	50,8	2,00	H	54,5	2,15
	VOFX114 BSP	Coupler 811200055							D	112,4	4,43						
1-1/2"	VOFX112 BSP	Nipple 811200056	1-1/2"	E	3 1/4-4 Stub ACME	G	220,3	8,67	F	151,2	5,95	B	57,2	2,25	H	63,5	2,50
	VOFX112 BSP	Coupler 811200057							D	126,9	5,00						
2"	VOFX200 BSP	Nipple 811200058	2"	E	4-4 Stub ACME	G	255,2	10,05	F	179,0	7,05	B	76,2	3,00	H	82,6	3,25
	VOFX200 BSP	Coupler 811200059							D	154,2	6,07						

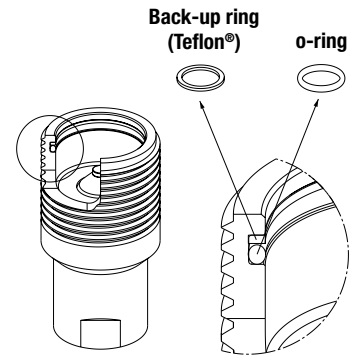
BODY SIZE	Descriptive Code	Item Code		Diameter		Overall dimension		Weight	
				mm	in	mm	in	kg	lb
3/4"	VOFX34 BSP	Nipple 811200050	M	44,3	1,74			0,48	1,05
	VOFX34 BSP	Coupler 811200051	N	53,0	2,09	T	77,0 3,03	0,61	1,34
1"	VOFX100 BSP	Nipple 811200052	M	57,2	2,25			1,19	2,62
	VOFX100 BSP	Coupler 811200053	N	69,0	2,72	T	109,0 4,29	1,38	3,03
1-1/4"	VOFX114 BSP	Nipple 811200054	M	66,7	2,62			1,95	4,30
	VOFX114 BSP	Coupler 811200055	N	80,0	3,15	T	120,0 4,72	2,27	5,01
1-1/2"	VOFX112 BSP	Nipple 811200056	M	82,6	3,25			3,22	7,11
	VOFX112 BSP	Coupler 811200057	N	95,0	3,74	T	145,0 5,71	3,84	8,47
2"	VOFX200 BSP	Nipple 811200058	M	101,6	4,00			6,04	13,32
	VOFX200 BSP	Coupler 811200059	N	122,5	4,82	T	182,5 7,19	8,10	17,86



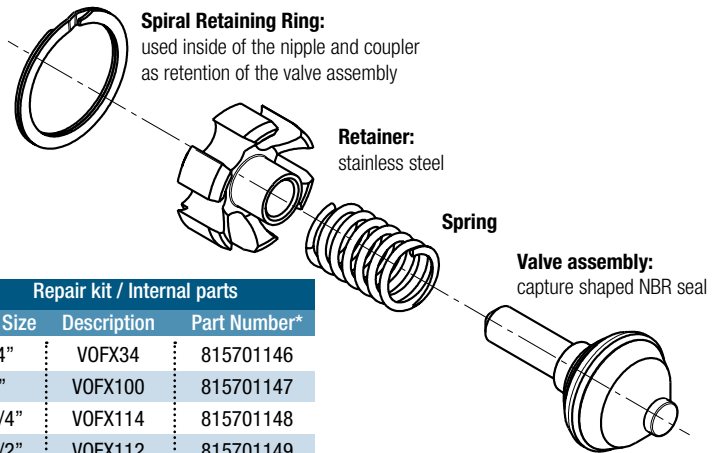
SPARE KIT SEAL FOR NIPPLE

Repair kit / OR+BK		
Body Size	Description	Part Number
3/4"	VOFX34	815700956
1"	VOFX100	815700958
1-1/4"	VOFX114	815700960
1-1/2"	VOFX112	815701122
2"	VOFX200	815700964

O-Ring in Nitrile
BackUp in Teflon®



SPARE KIT INTERNAL PARTS

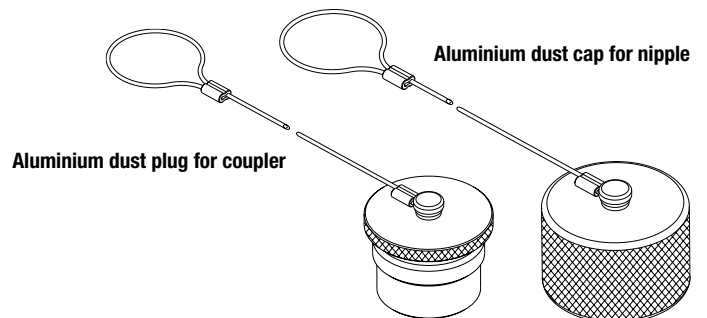


Repair kit / Internal parts		
Body Size	Description	Part Number*
3/4"	VOFX34	815701146
1"	VOFX100	815701147
1-1/4"	VOFX114	815701148
1-1/2"	VOFX112	815701149
2"	VOFX200	815701150

*same codes for coupler or nipple

PROTECTIVE CAPS FOR VOFX SERIES

Protective caps are always recommended to protect the couplings from damage, dirt inclusion, and will increase the product life. This is particularly important in Oil&Gas and mobile applications where exposure to weather and aggregate materials are common. The protective caps for VOFX couplings are manufactured in aluminum (natural color). Upon request also caps manufactured in stainless steel version.



Body Size/Description :	Protective Cap		Material/Color
	Plug for Coupler	Cap for Nipple	
3/4"	815405013	815405012	Aluminum/Natural
1"	815405011	815405010	Aluminum/Natural
1-1/4"	815405015	815405014	Aluminum/Natural
1-1/2"	815405017	815405016	Aluminum/Natural
2"	815405019	815405018	Aluminum/Natural